




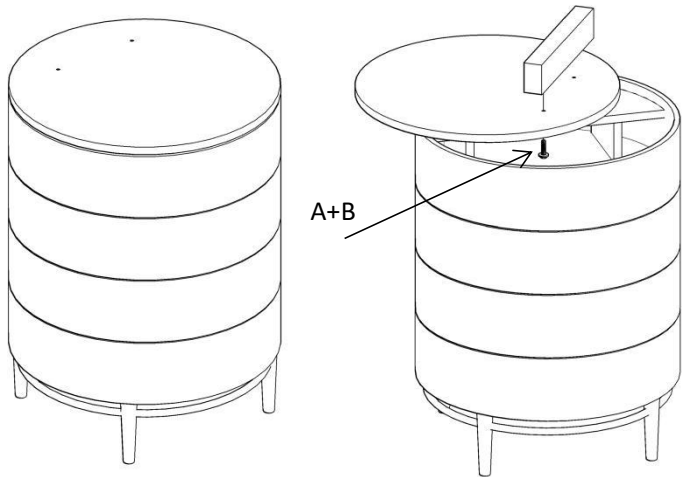
# Makeup Vanity Table

## Assembly Instruction

### Parts Inventory

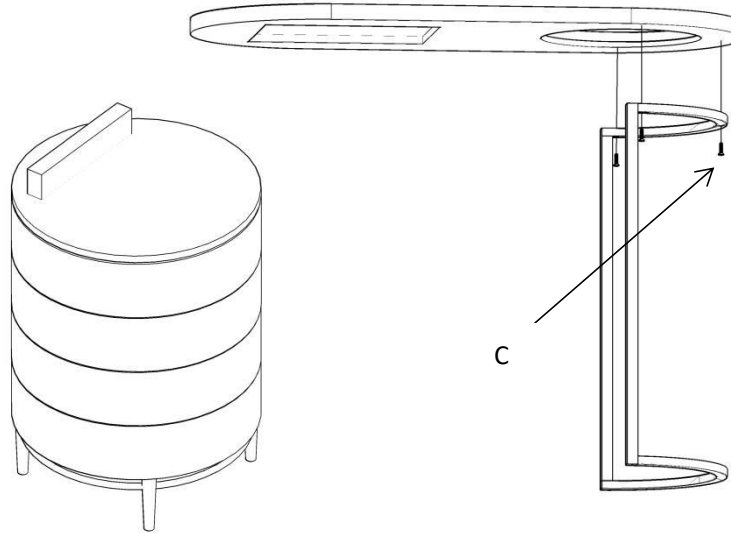
No.	Photo	Description	QYT
A		6*20mm Screw	2
B		Washer	2
C		4*30mm Self-tapping Screw	3

1.



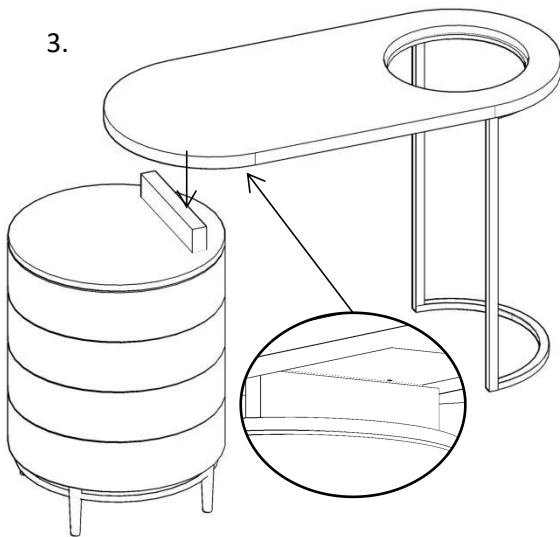
Attach the square wooden bar to the side cabinet.

2.



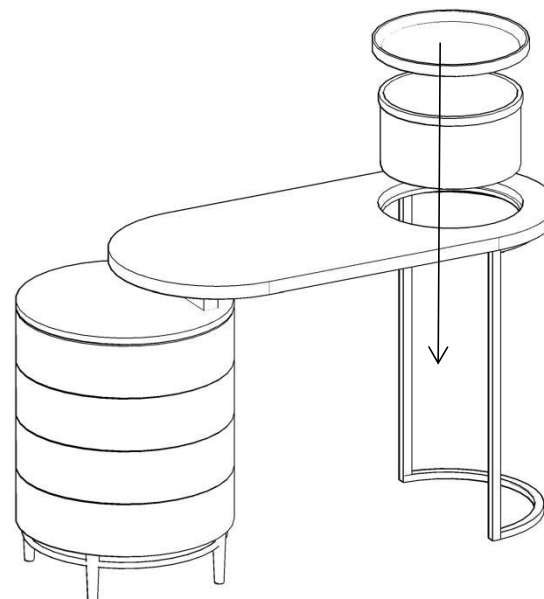
Attach the metal frame to the table.

3.



Align the table with the metal frame on the side cabinet.

4.



Put the barrel-like storage compartment in place.

It is done!

