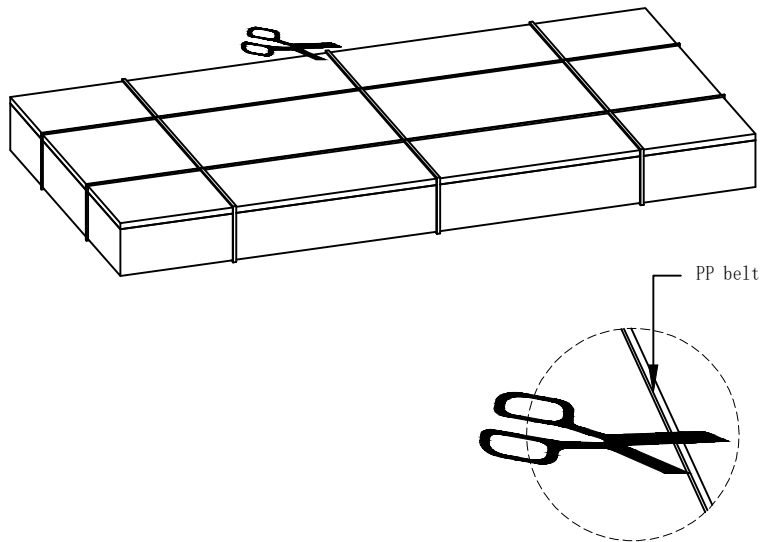
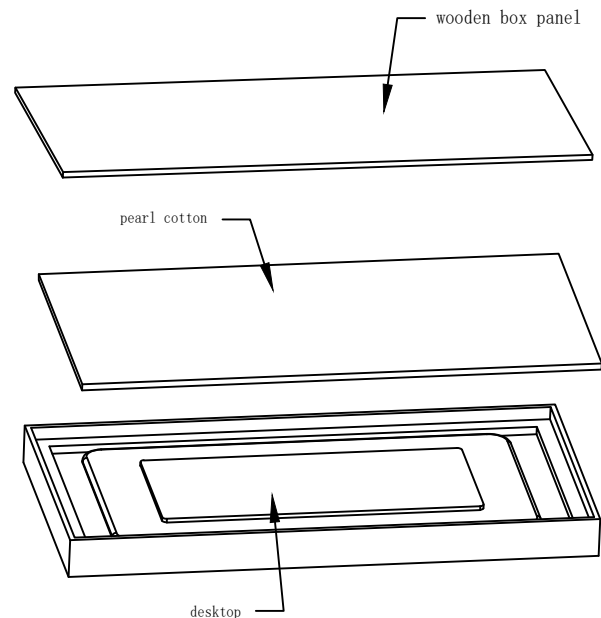


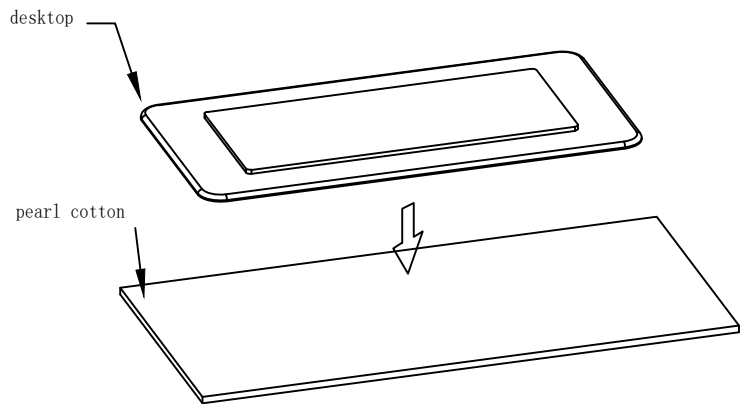
1. Unwind the PP belt with the scissors.



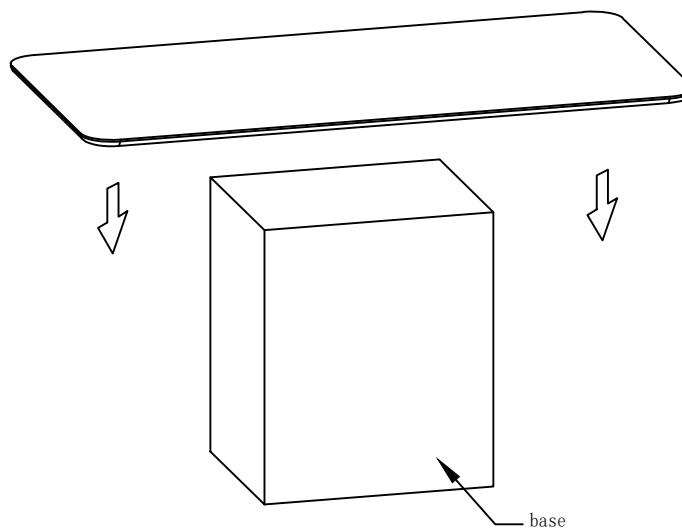
2. Take out the wooden box panel, remove the pearl cotton, and place it aside.



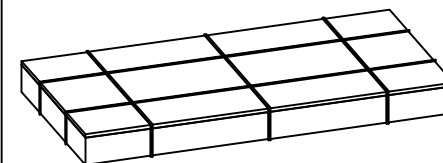
3. Place the desktop on the removed pearl cotton place (avoid collision and damage to the desktop).



4. Four people need to place the dining table above the dining table base before installation.



### Table unpacking instructions



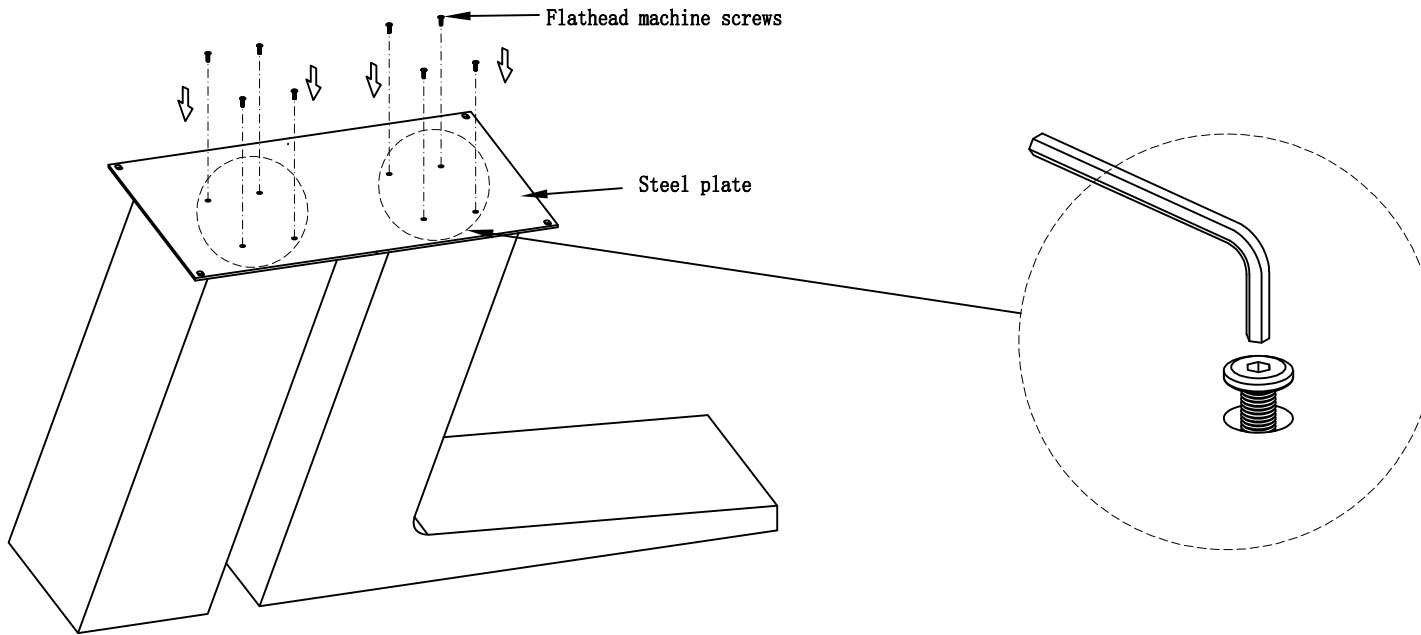
Number of people needed:4

- ① Please read the manual carefully before installing this product. And strictly follow the installation process
- ② Please take good care of this manual for your next installation

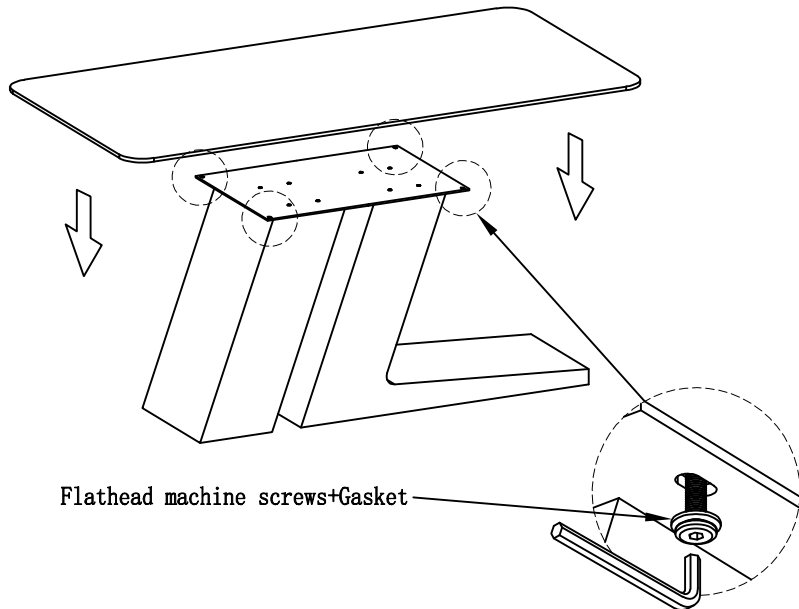
### Parts list

Serial number	Shape	Name	Quantity

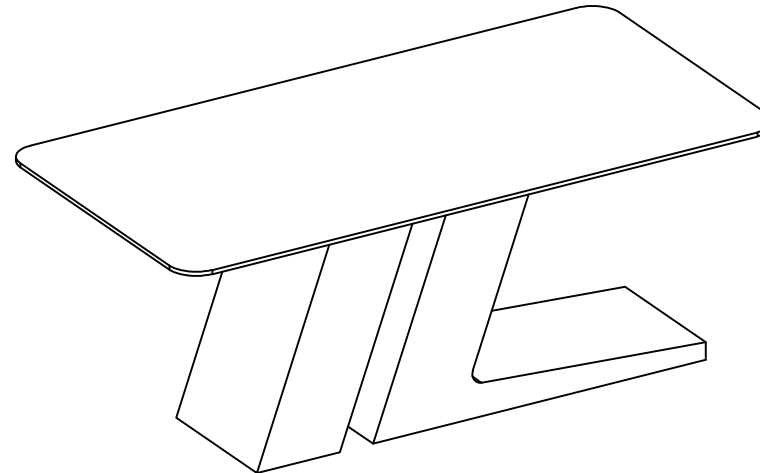
1. Place the steel plate above the base, align the holes, and then put the hexagonal machine wire in the middle of the hole in the steel plate, tighten it with a wrench.



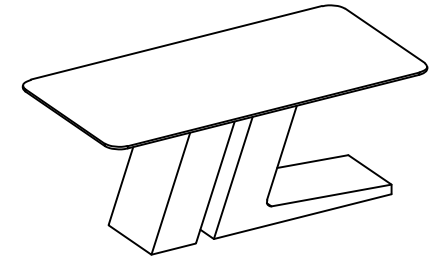
2. Place the tabletop on the steel plate, put the hexagonal machine wire in the remaining holes of the plate and tighten it with a wrench.



3. Installation complete



## Installation instruction






### DT0113AW16/18 Installation

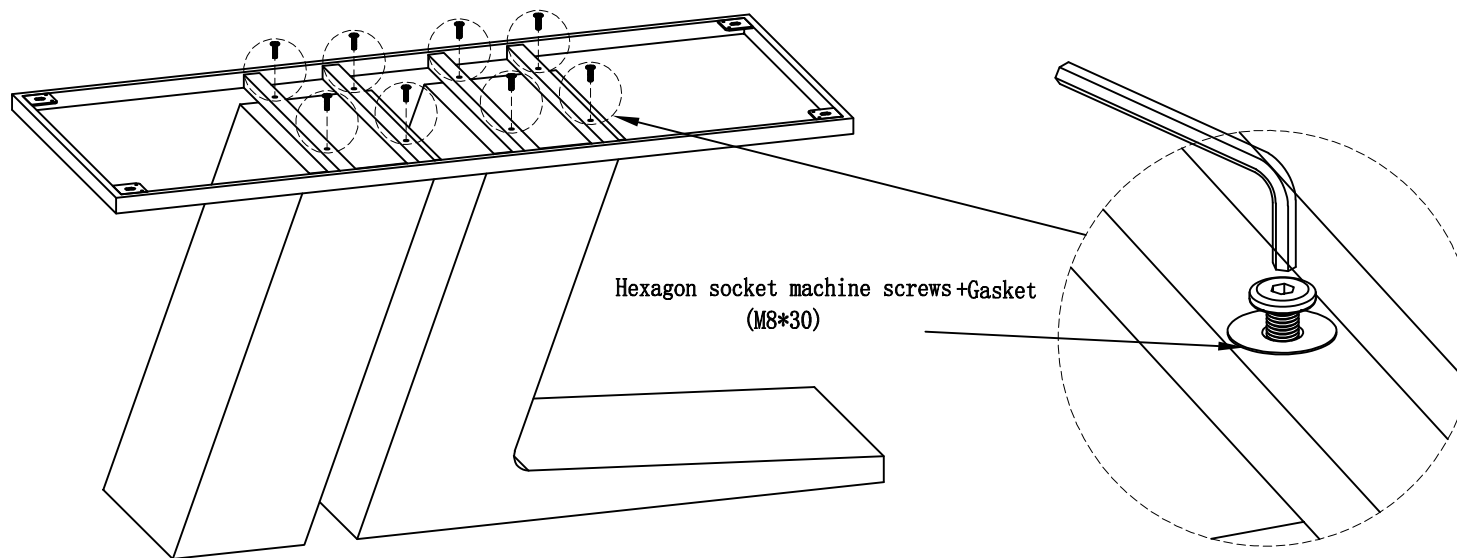
The number of people needed for installation: 2

- ① Please read the manual carefully before installing this product. And strictly follow the installation process
- ② Please take good care of this manual for your next installation

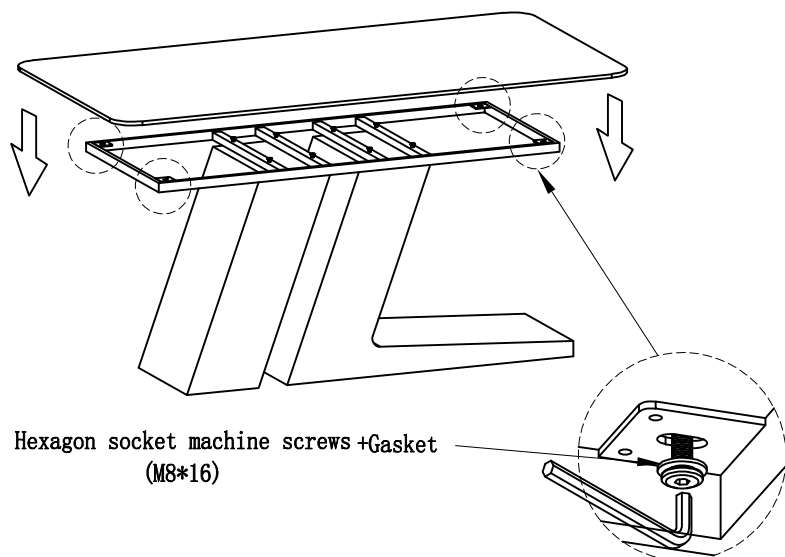
### Parts list

Serial number	Shape	Name	Quantity
A		Flathead machine screws (M8*16)	12
B		Gasket	4
C		Steel plate	1

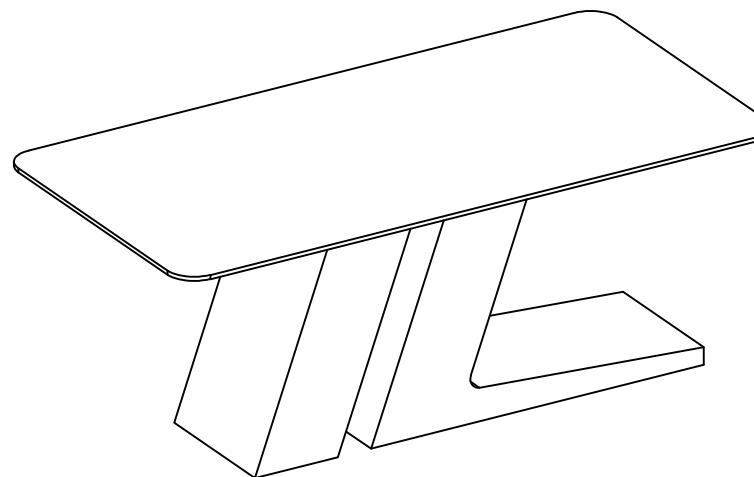
1. Place the support frame on the top of the base and align the interconnected holes, put in the hexagonal machine wire and gasket, and tighten it with a wrench.



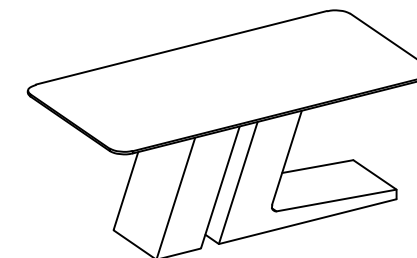
2. Place the desktop on the top of the support frame and align the ears of the support frame with the holes of the bottom plate of the desktop, put in the hexagonal machine wire and gasket and tighten it with a wrench



3. Installation complete



## Installation instruction



### DT0113AW20 Installation

The number of people needed for installation: 2

- ① Please read the manual carefully before installing this product. And strictly follow the installation process
- ② Please take good care of this manual for your next installation

### Parts list

Serial number	Shape	Name	Quantity
A		Hexagon socket machine screws (M8*30)	8
B		Hexagon socket machine screws (M8*16)	4
C		Gasket	12