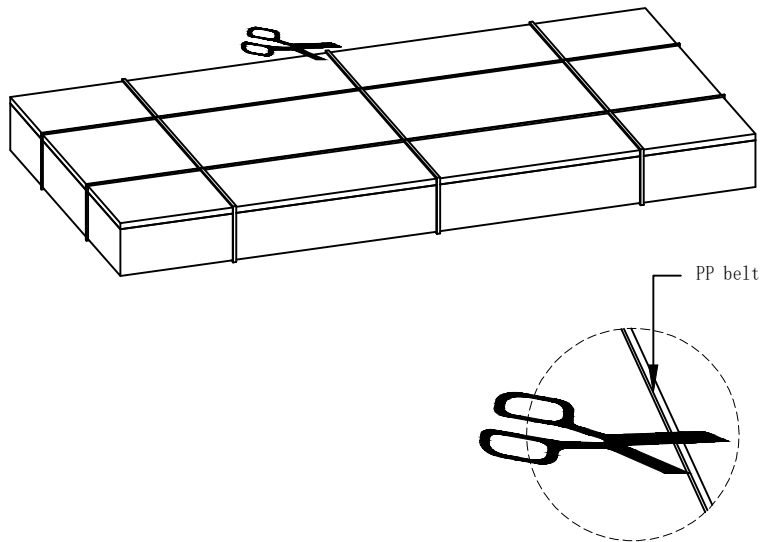
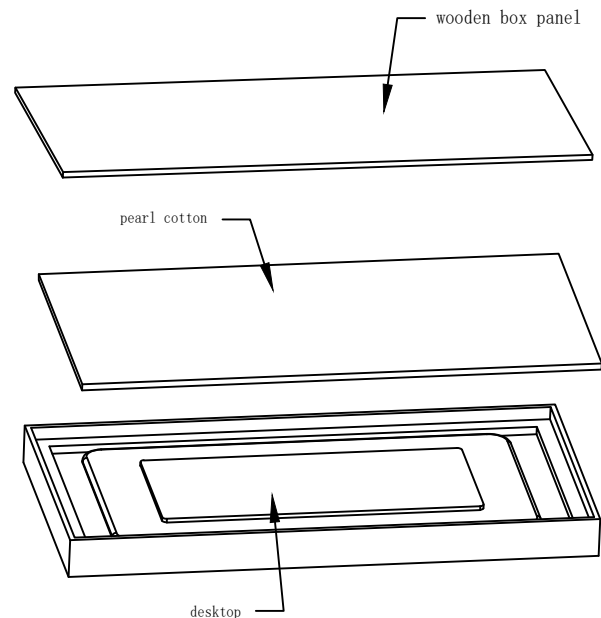


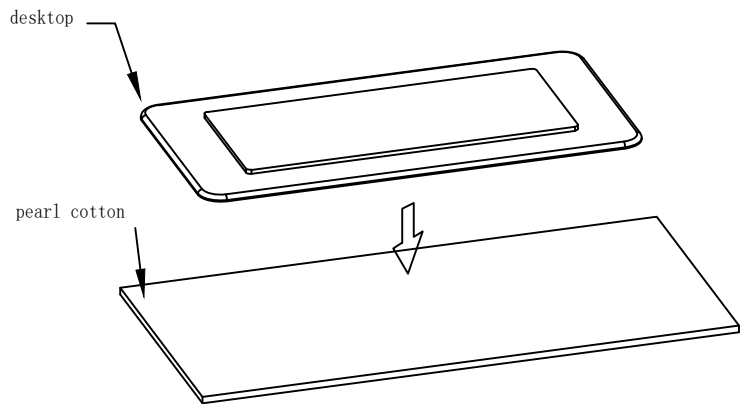
1. Unwind the PP belt with the scissors.



2. Take out the wooden box panel, remove the pearl cotton, and place it aside.



3. Place the desktop on the removed pearl cotton place (avoid collision and damage to the desktop).



4. Four people need to place the dining table above the dining table base before installation.

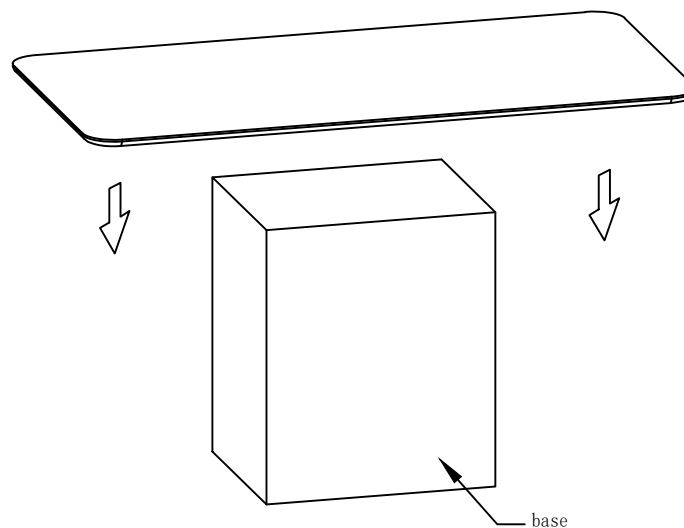
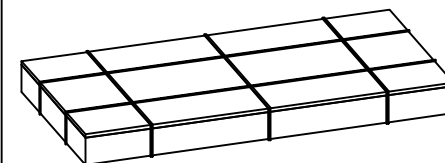


Table unpacking instructions



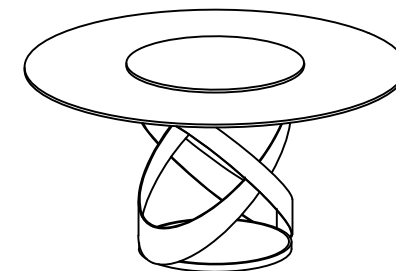
Number of people needed:4

- ① Please read the manual carefully before installing this product. And strictly follow the installation process
- ② Please take good care of this manual for your next installation

Parts list

Serial number	Shape	Name	Quantity

Installation instruction






DT0126 Installation

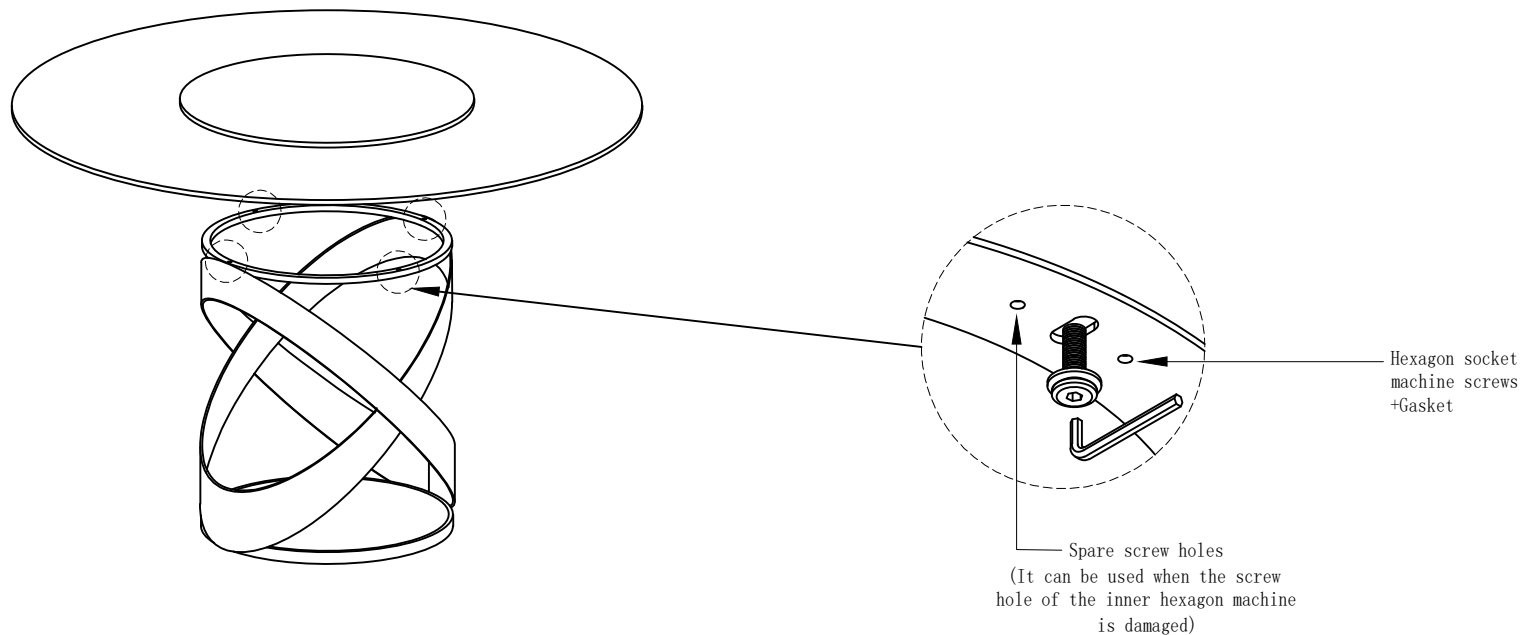
The number of people needed for installation: 2

- ① Please read the manual carefully before installing this product. And strictly follow the installation process
- ② Please take good care of this manual for your next installation
- ③ Note: Before installation, screw all the screws to 1/2 of the length of the installation. After all screws are half screwed in, tighten them all together.

Parts list

Serial number	Shape	Name	Quantity
A		Hexagon socket machine screws (M8*16)	4
B		Gasket	4
C		Self-tapping screws (spare) (M4*16mm)	8

1. Place the dining table on the top of the base support frame, align the holes and put in the hexagonal machine wire and tighten the hexagonal machine wire with a wrench.



2. installation is complete

