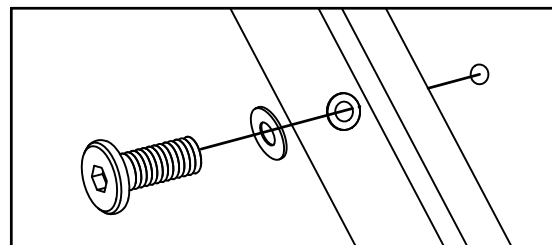
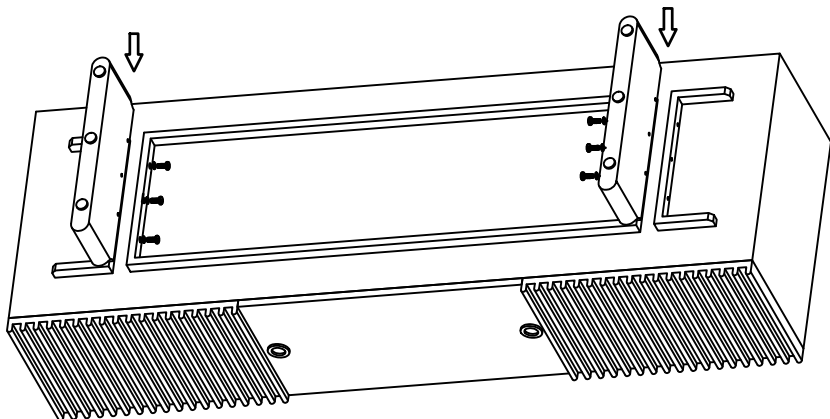
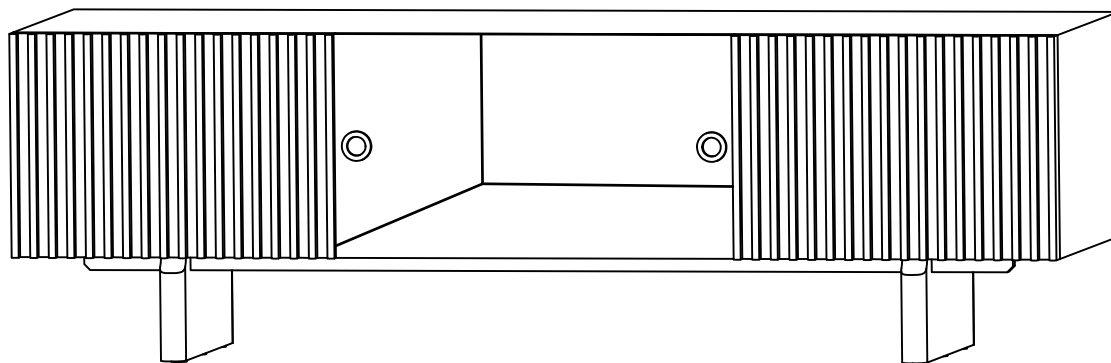


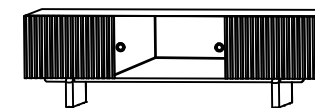
1. Install the support feet to the bottom of the cabinet



2. Installation Completed (If the product is unstable or wobbles, please adjust the adjustable feet at the bottom of the product to ensure it is level with the ground.)






Assembly instructions



TS8319WC180/200 Installation
The number of people needed for installation: 2

- ① Please read the manual carefully before installing this product. And strictly follow the installation process
- ② Please take good care of this manual for your next installation
- ③ Note: Before installation, screw all the screws to 1/2 of the length of the installation. After all screws are half screwed in, tighten them all together.

Have a question? We're here to help:
<https://www.povison.com/help-center/contact>
 Customer Service Number: +1-669-208-1888
 Customer Service Email: supportingcenter@povison.com
 Customer Service Hours: EST 10 am - 5.30 pm

Parts list		On a red ribbon are furniture installation accessories		
Serial number	Shape	Name	Quantity required for installation	Spare quantity
A		hexagon socket screw(M8*70mm)	6	1
B		Gasket	6	1
C		Wrench	1	0
D				
E				
F				
G				