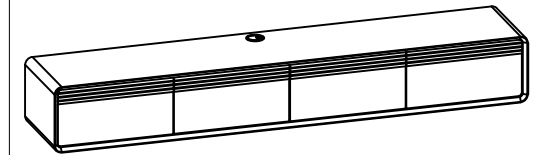


Installation instruction

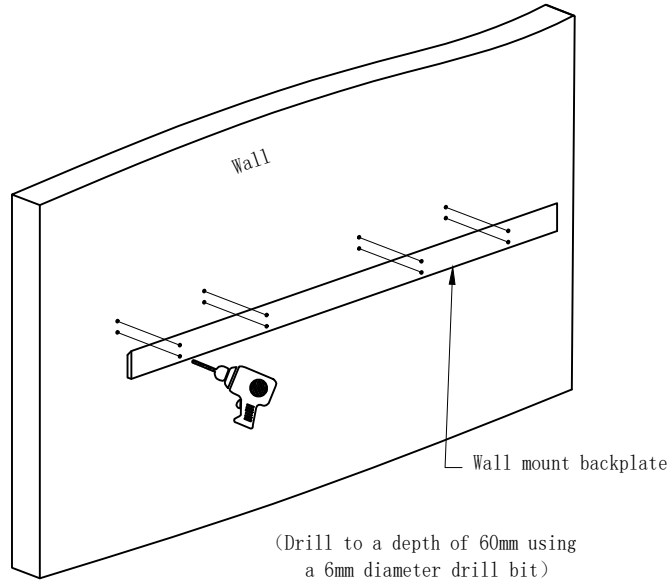


TS8210 Installation

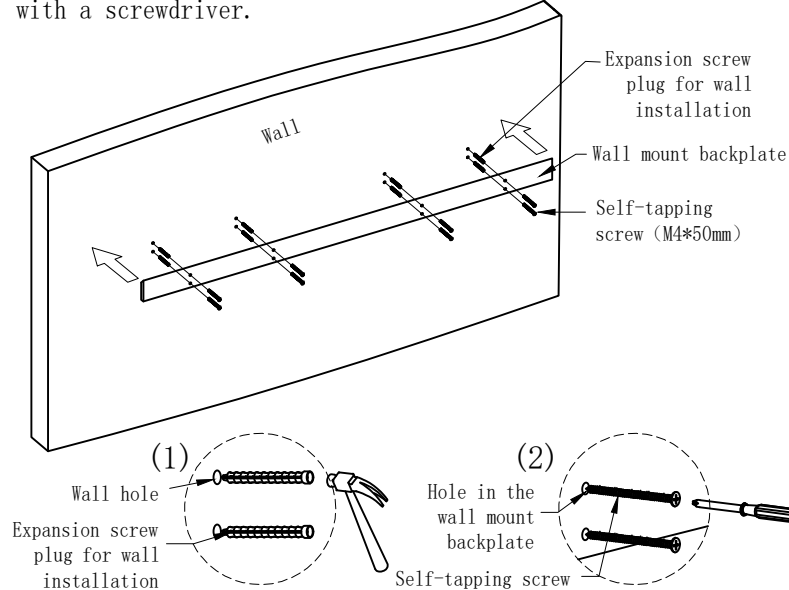
The number of people needed for installation: 2

- ① Please read the manual carefully before installing this product. And strictly follow the installation process
- ② Please take good care of this manual for your next installation
- ③ Note: Before installation, screw all the screws to 1/2 of the length of the installation. After all screws are half screwed in, tighten them all together.

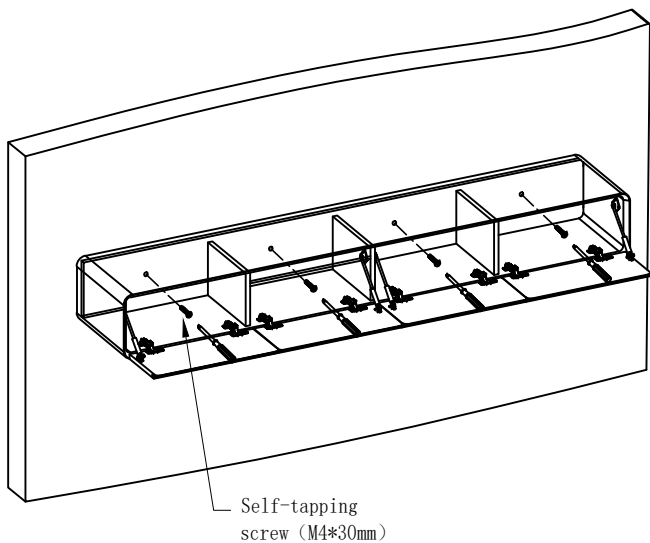
1. Place the wall-mounted backboard at a suitable position on the wall, mark the holes to be installed on the wall and the backboard with a marker, and then drill holes on the wall with an electric drill.



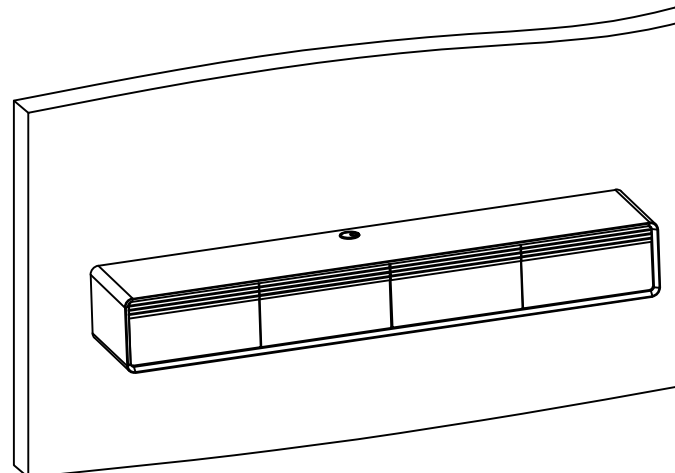
2. After the drilling is completed, insert the expansion plug into the wall hole, place the wall-mounted backboard, and insert the self-tapping screw into the position where the wall hole connects to the backboard hole. Tighten the screws with a screwdriver.



3. Put the TV cabinet on the wall-mounted backboard, open the downward door, insert the self-tapping screws into the holes of the cabinet body, and tighten them with a screwdriver or electric drill.



4. Installation complete



Parts list		On a red ribbon are furniture installation accessories		
Serial number	Shape	Name	Quantity required for installation	Spare quantity
A		Self-tapping screw (M4*60mm)	8	2
B		Expansion screw plug for wall installation	8	2
C		Self-tapping screw (M4*35mm)	4	2
D				
E				
F				
G				