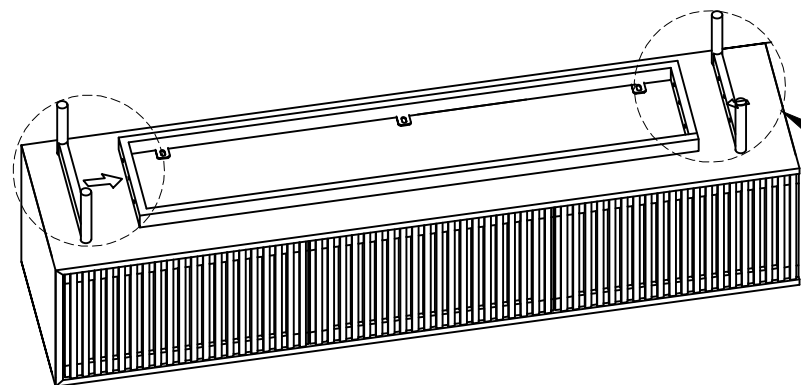
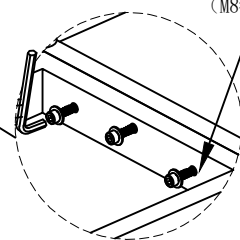


1. Installation of cabinet feet1.

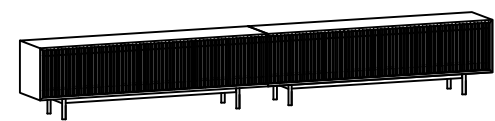


(1.1) Place the side feet on both sides of the foot stand to align the holes, and then insert the hexagonal socket thread and gasket into the foot stand and tighten them with a wrench

Hexagon socket thread
(M8*30mm)



Assembly instructions

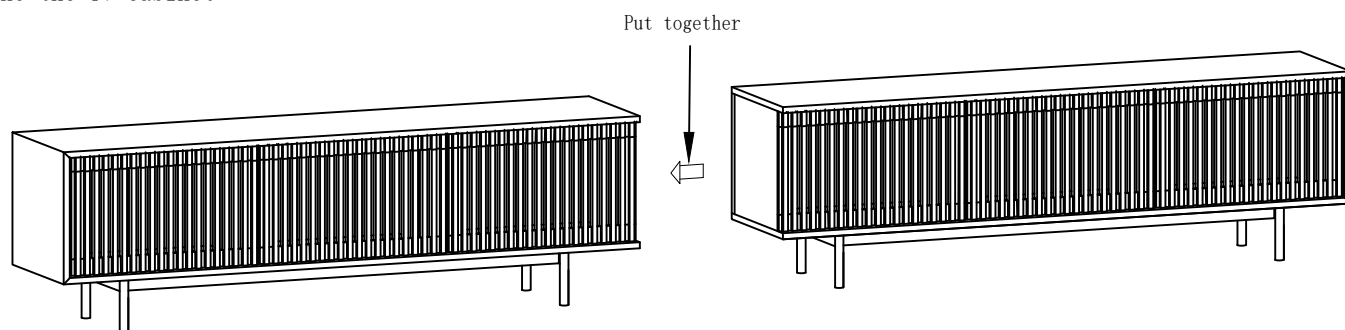


TS8126ADW300 Installation

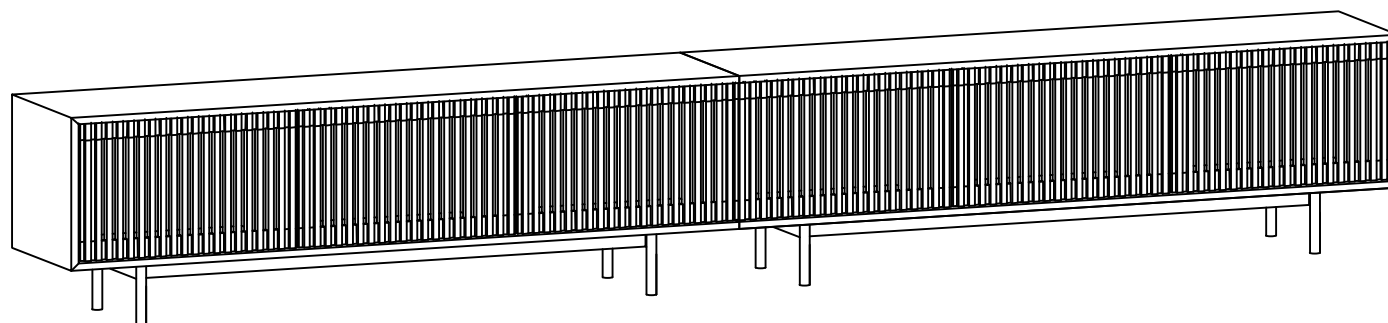
The number of people needed for installation: 2

- ① Please read the manual carefully before installing this product. And strictly follow the installation process
- ② Please take good care of this manual for your next installation
- ③ Note: Before installation, screw all the screws to 1/2 of the length of the installation. After all screws are half screwed in, tighten them all together.

2. Combine the TV cabinet



3. Installation completed



Parts list		On a red ribbon are furniture installation accessories		
Serial number	Shape	Name	Quantity required for installation	Spare quantity
A		Hexagonal socket thread (M8*30mm)	6	1
B		Gasket	6	1
C		Lateral crura	2	0
D		wrench	1	0
E				
F				
G				