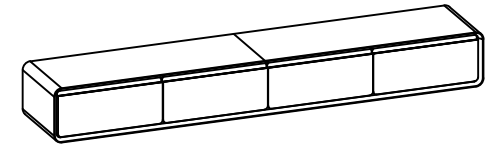


Assembly instructions



TS2001 280 Installation

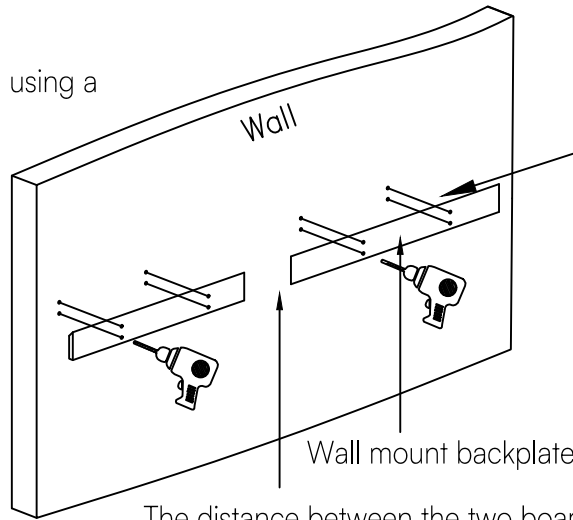
The number of people needed for installation: 2

- ① Please read the manual carefully before installing this product. And strictly follow the installation process
- ② Please take good care of this manual for your next installation
- ③ Note: Before installation, screw all the screws to 1/2 of the length of the installation. After all screws are half screwed in, tighten them all together.

Have a question? We're here to help:  
<https://www.povison.com/help-center/contact>  
 Customer Service Number: +1-669-208-1888  
 Customer Service Email: [supportingcenter@povison.com](mailto:supportingcenter@povison.com)  
 Customer Service Hours: EST 10 am - 5.30 pm

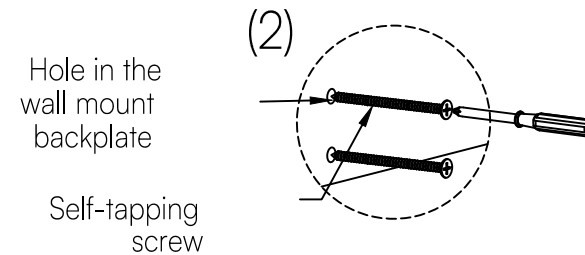
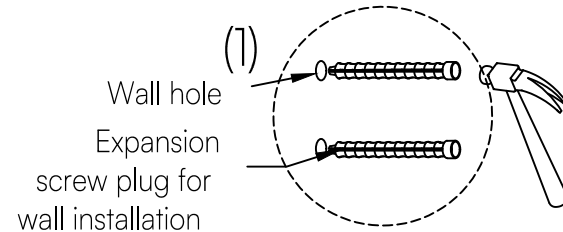
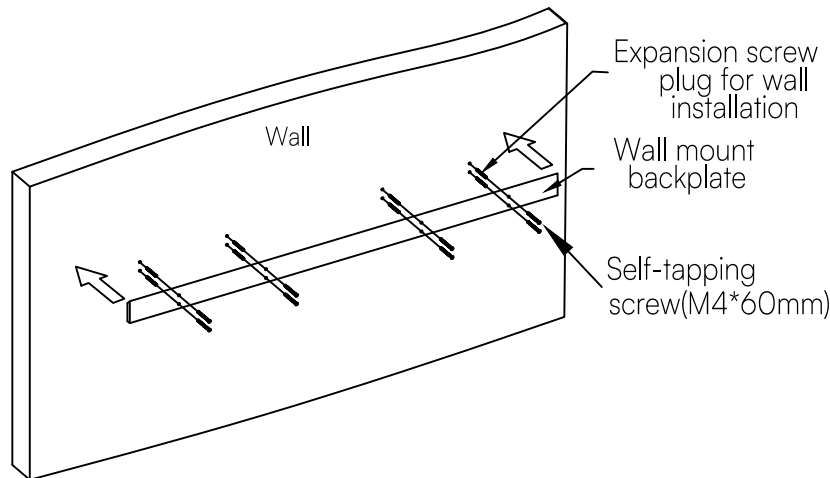
1. Place the wall-mounted backboard at a suitable position on the wall, mark the holes to be installed on the wall and the backboard with a marker, and then drill holes on the wall with an electric drill.

(Drill to a depth of 60mm using a 6mm diameter drill bit)



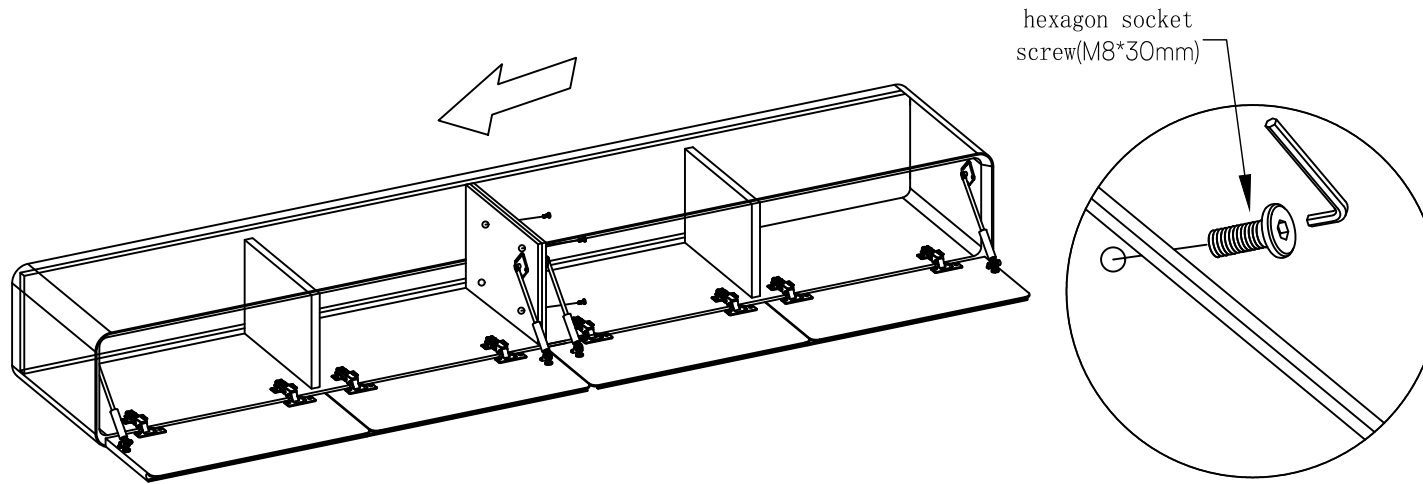
The distance between the two boards should be around 20 cm

2. After the drilling is completed, insert the expansion plug into the wall hole, place the wall-mounted backboard, and insert the self-tapping screw into the position where the wall hole connects to the backboard hole. Tighten the screws with a screwdriver.

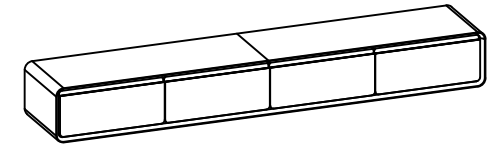


Parts list		On a red ribbon are furniture installation accessories		
Serial number	Shape	Name	Quantity required for installation	Spare quantity
A		Self-tapping screw (M4*60mm)	16	2
B		Expansion screw plug for wall installation	16	2
C		Self-tapping screw (M4*35mm)	8	2
D		hexagon socket screw (M8*30mm)	4	1
E		Wrench	1	0
F				
G				

### 3. Install the cabinets on both sides



## Assembly instructions



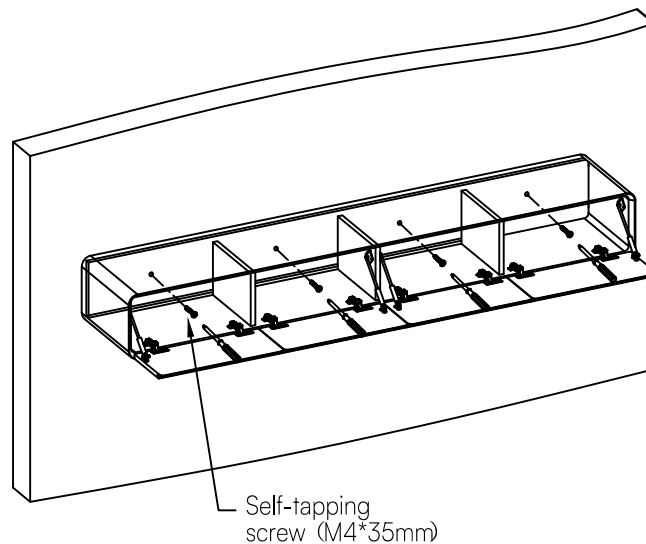
### TS2001 280 Installation

The number of people needed for installation: 2

- ① Please read the manual carefully before installing this product. And strictly follow the installation process
- ② Please take good care of this manual for your next installation
- ③ Note: Before installation, screw all the screws to 1/2 of the length of the installation. After all screws are half screwed in, tighten them all together.

Have a question? We're here to help:  
<https://www.povison.com/help-center/contact>  
 Customer Service Number: +1-669-208-1888  
 Customer Service Email: [supportingcenter@povison.com](mailto:supportingcenter@povison.com)  
 Customer Service Hours: EST 10 am - 5.30 pm

### 4. Put the Ty cabinet on the wall-mounted backboard, open the downward door, insert the self-tapping screws into the holes of the cabinet body, and tighten them with a screwdriver or electric drill.



Parts list		On a red ribbon are furniture installation accessories		
Serial number	Shape	Name	Quantity required for installation	Spare quantity
A		Self-tapping screw (M4*60mm)	16	2
B		Expansion screw plug for wall installation	16	2
C		Self-tapping screw (M4*35mm)	8	2
D		hexagon socket screw (M8*30mm)	4	1
E		Wrench	1	0
F				
G				