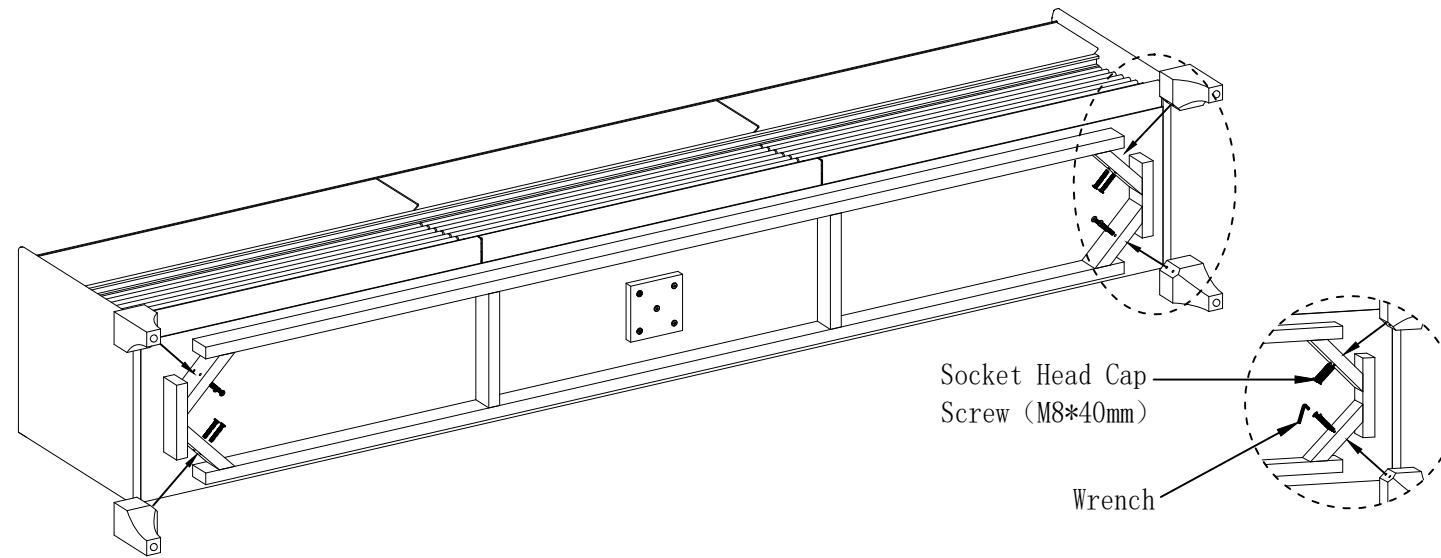
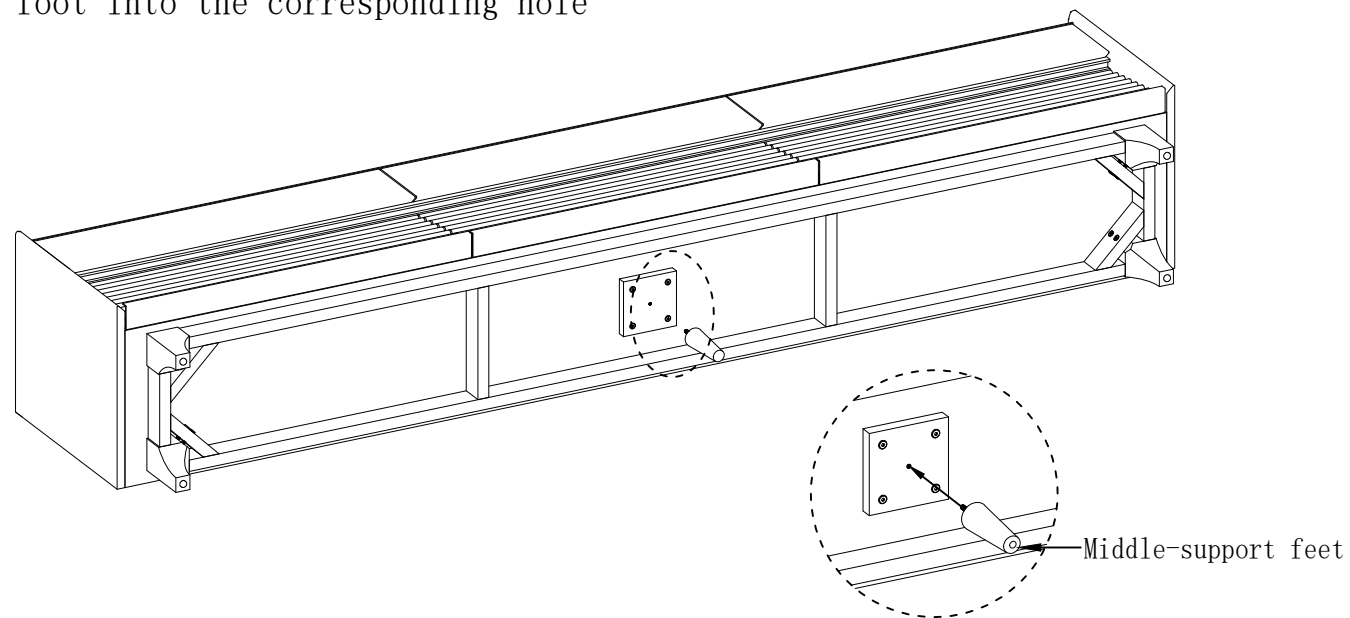


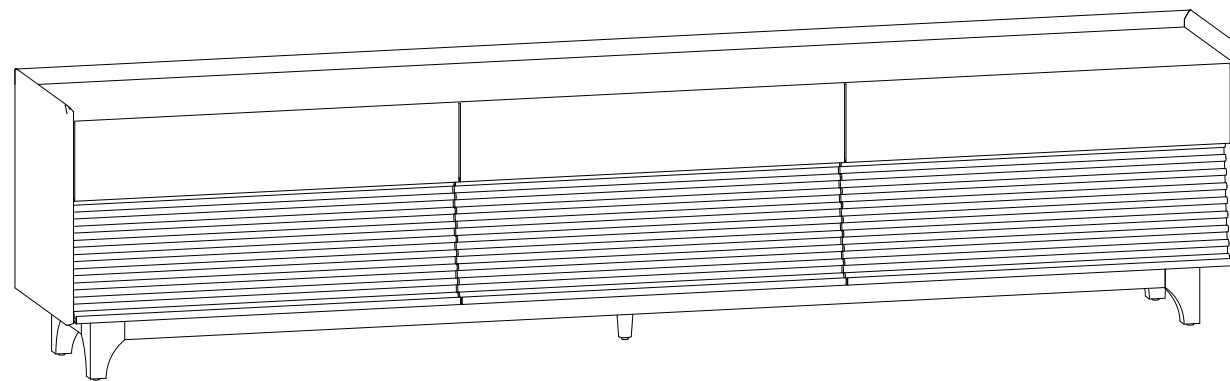
1. Install support feet



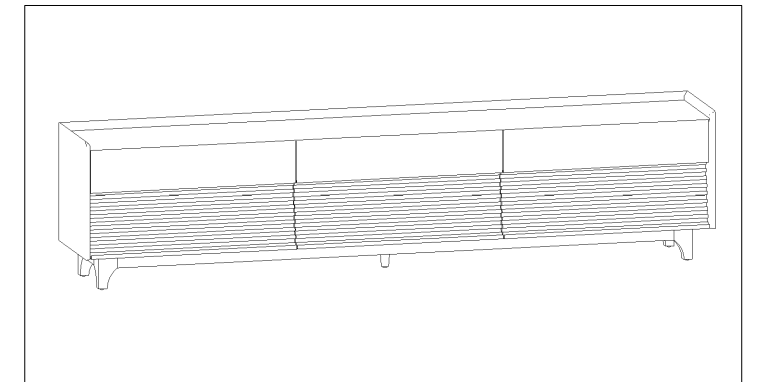
2. Screw the middle support foot into the corresponding hole



3. The installation is complete



Assembly instructions



TS8125 Installation

The number of people needed for installation: 2

- ① Please read the manual carefully before installing this product. And strictly follow the installation process
- ② Please take good care of this manual for your next installation
- ③ Note: Before installation, screw all the screws to 1/2 of the length of the installation. After all screws are half screwed in, tighten them all together.

Parts list On a red ribbon are furniture installation accessories

Serial number	Shape	Name	Quantity required for installation	Spare quantity
A		Socket Head Cap Screw (M8*40mm)	8	1
B		Wrench	1	
C		support feet	4	
D		Middle-support feet	1	
E				
F				
G				
H				
I				
J				
K				