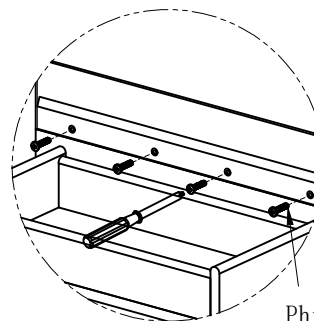
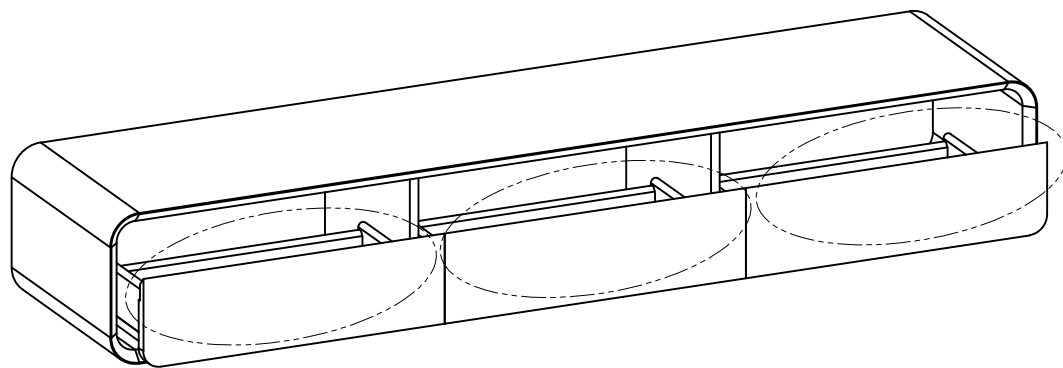
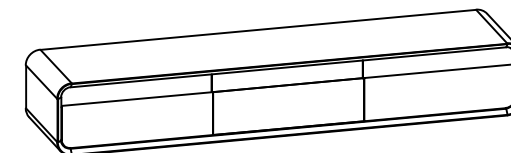


1. Pull out the drawer and place the glass into the groove. Align the screw holes and secure it with the philips screws.



Philips screw
(M4*15mm)

Assembly instructions

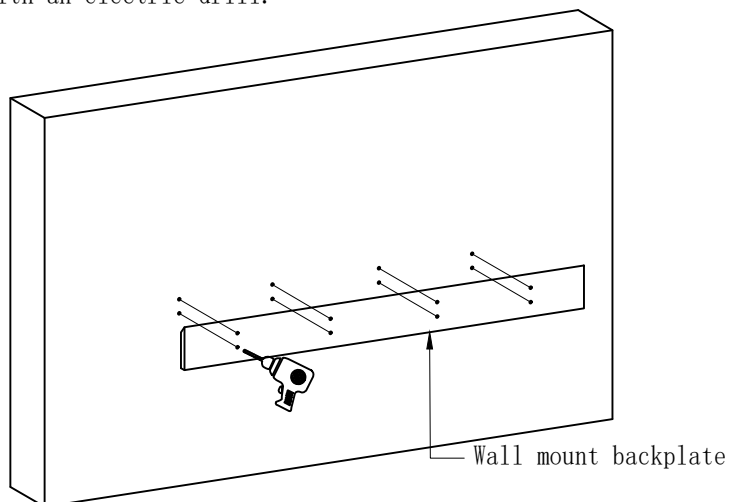


TS8197 Installation

The number of people needed for installation: 2

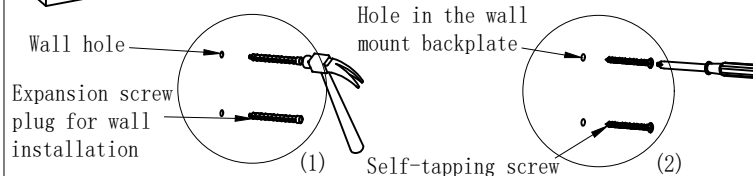
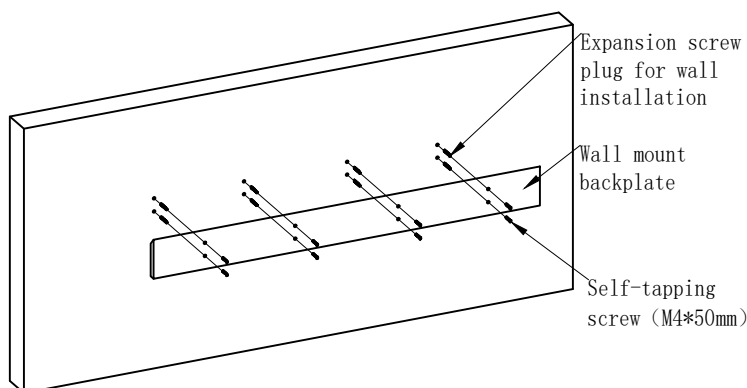
- ① Please read the manual carefully before installing this product. And strictly follow the installation process
- ② Please take good care of this manual for your next installation
- ③ Note: Before installation, screw all the screws to 1/2 of the length of the installation. After all screws are half screwed in, tighten them all together.

2. Place the wall-mounted backboard at a suitable position on the wall, mark the holes to be installed on the wall and the backboard with a marker, and then drill holes on the wall with an electric drill.



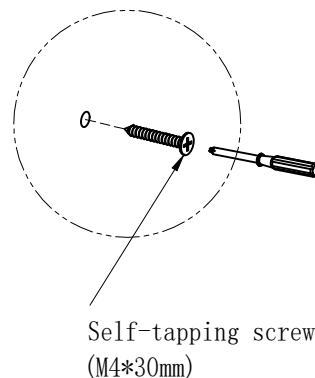
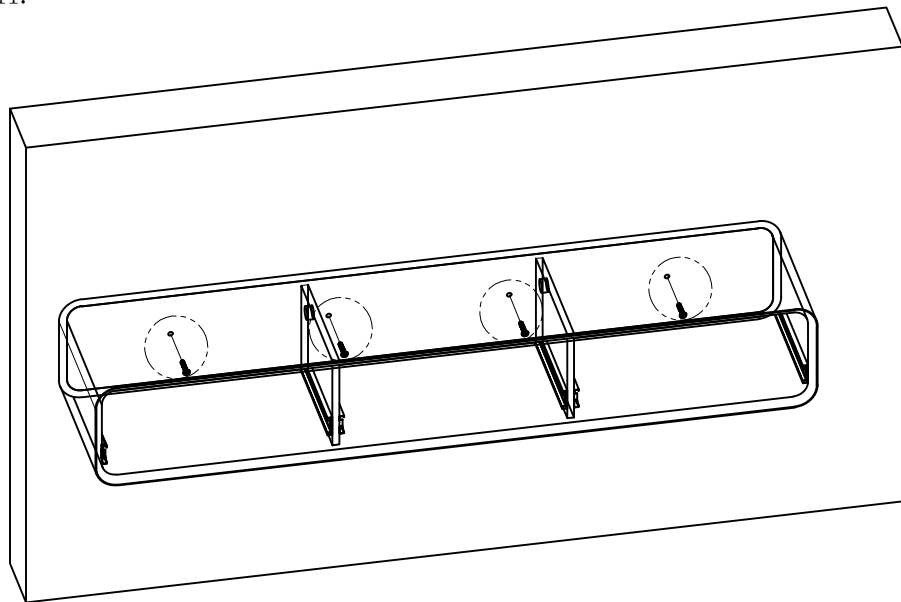
(Drill to a depth of 60mm using a 6mm diameter drill bit)

3. After the drilling is completed, insert the expansion plug into the wall hole, place the wall-mounted backboard, and insert the self-tapping screw into the position where the wall hole connects to the backboard hole. Tighten the screws with a screwdriver.

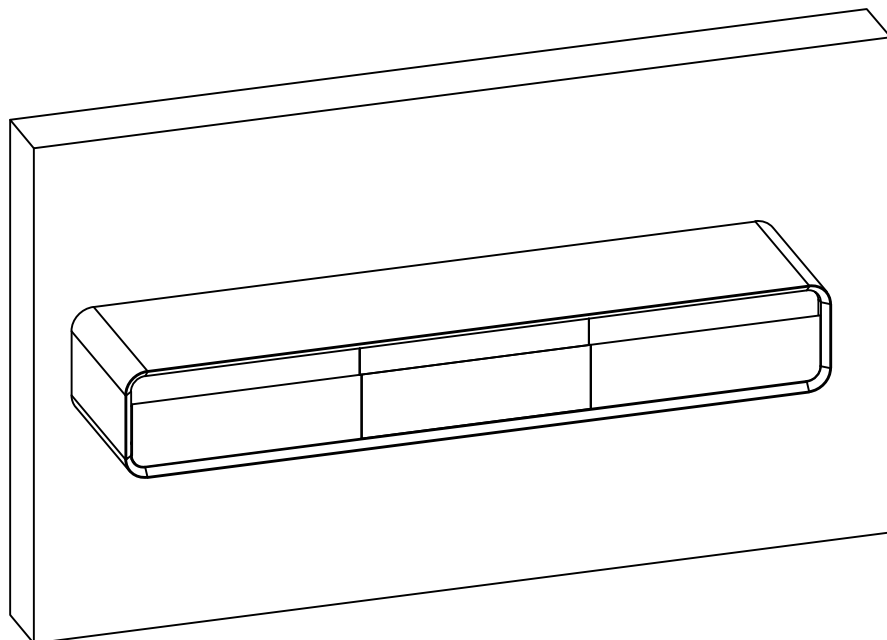


Parts list		On a red ribbon are furniture installation accessories		
Serial number	Shape	Name	Quantity required for installation	Spare quantity
A		Philips screw (M4*15mm)	12	0
B		Expansion screw plug for wall installation	8	2
C		Self-tapping screw (M4*50mm)	8	2
D		Self-tapping screw (M4*30mm)	4	2
E				
F				
G				

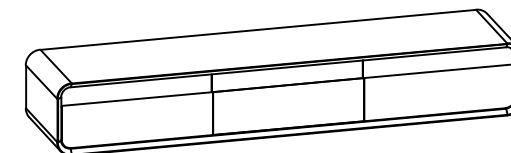
4. Place the TV cabinet on the wall-mounted back panel, remove the drawer (see the last page for the drawer disassembly method), insert the self-tapping screws into the holes in the cabinet body, and tighten it with a screwdriver or electric drill.



4. Replace the drawer (see the last page for the drawer disassembly method), and the installation is complete.



Assembly instructions



TS8197 Installation

The number of people needed for installation: 2

- ① Please read the manual carefully before installing this product. And strictly follow the installation process
- ② Please take good care of this manual for your next installation
- ③ Note: Before installation, screw all the screws to 1/2 of the length of the installation. After all screws are half screwed in, tighten them all together.

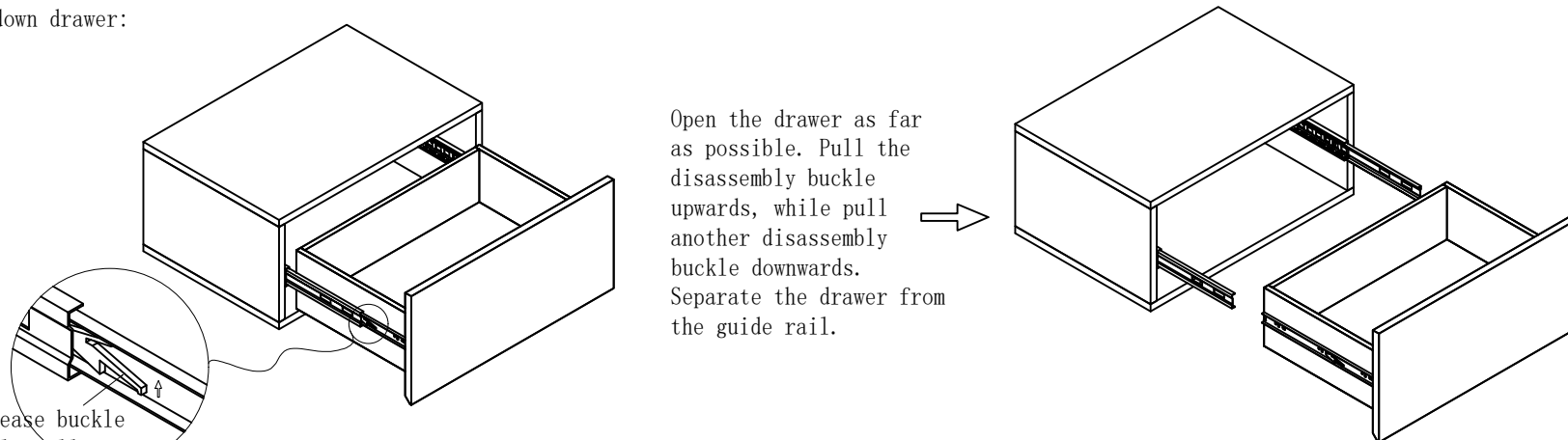
Parts list		On a red ribbon are furniture installation accessories		
Serial number	Shape	Name	Quantity required for installation	Spare quantity
A		Philips screw (M4*15mm)	12	0
B		Expansion screw plug for wall installation	8	2
C		Self-tapping screw (M4*50mm)	8	2
D		Self-tapping screw (M4*30mm)	4	2
E				
F				
G				

Disassembly instruction for three-section side-mounted rail drawer

1. Three-section side-mounted rail drawer.

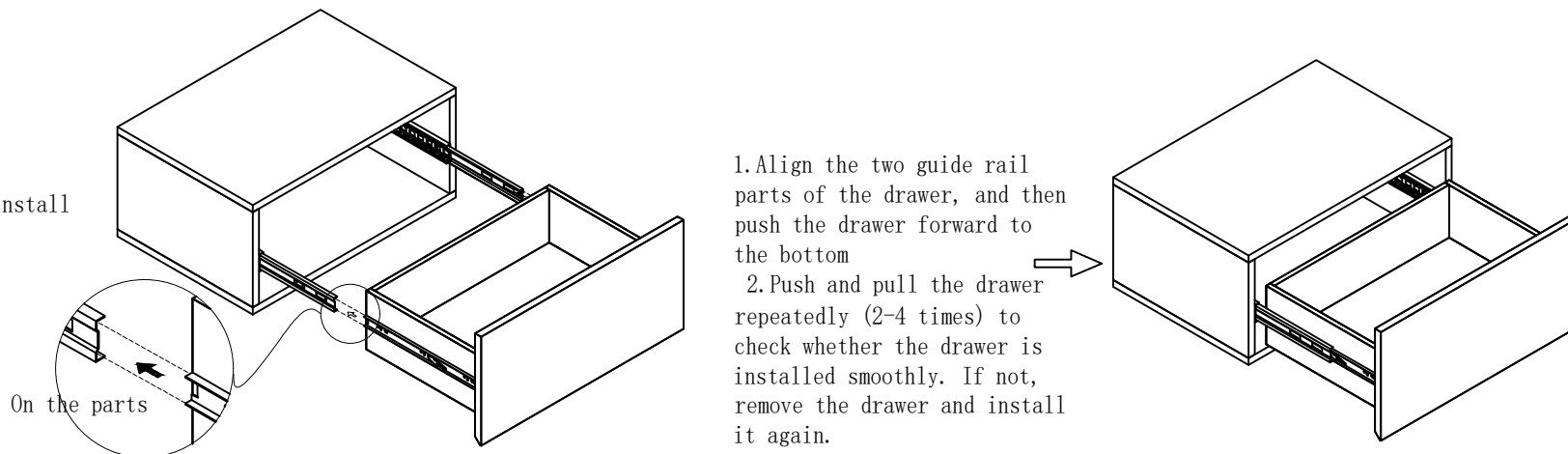


2. How to teardown drawer:



Pull the release buckle upwards, while pull another release buckle downwards.

3. How to install drawer:



On the parts