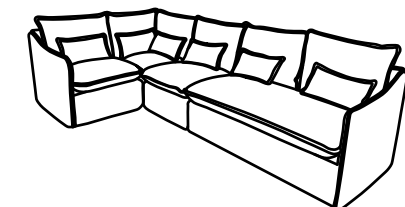


Assembly instructions

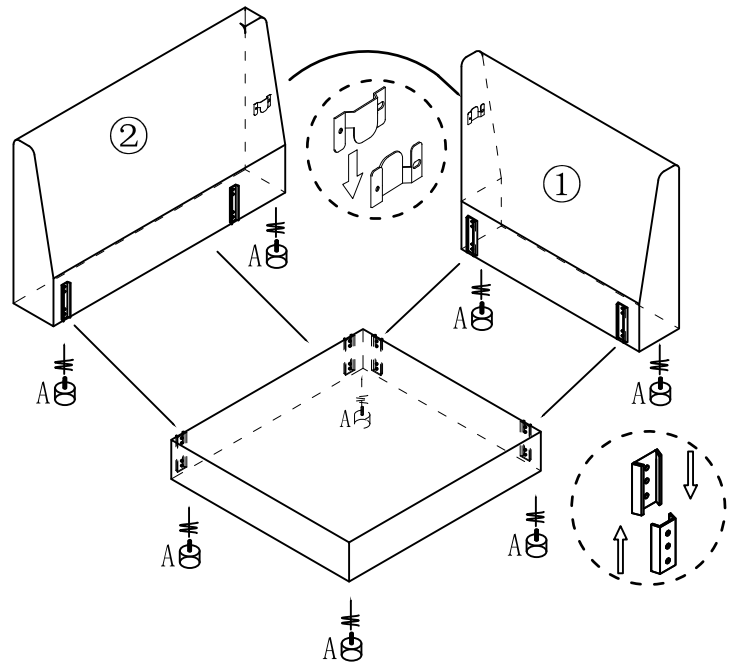


SF8248 Installation

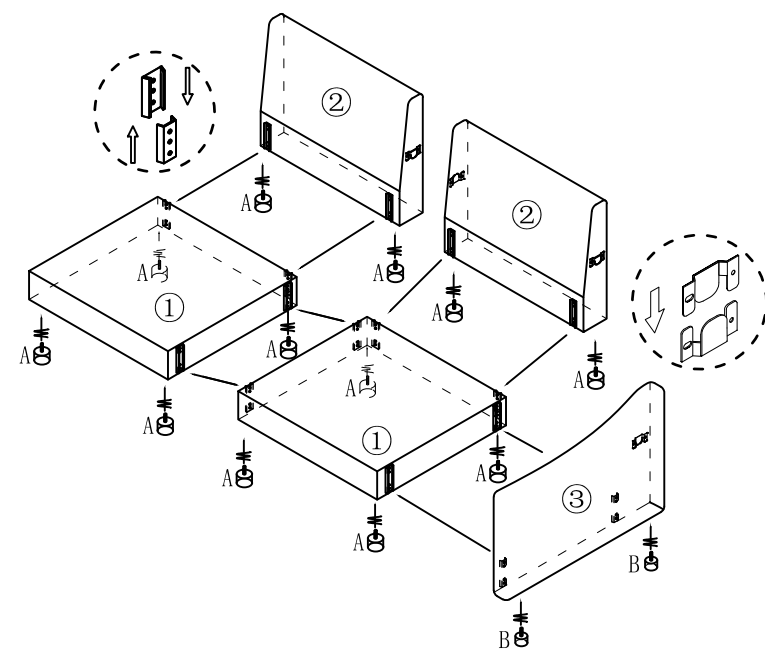
The number of people needed for installation: 2

- ① Please read the manual carefully before installing this product. And strictly follow the installation process
- ② Please take good care of this manual for your next installation
- ③ Note: Before installation, screw all the screws to 1/2 of the length of the installation. After all screws are half screwed in, tighten them all together.

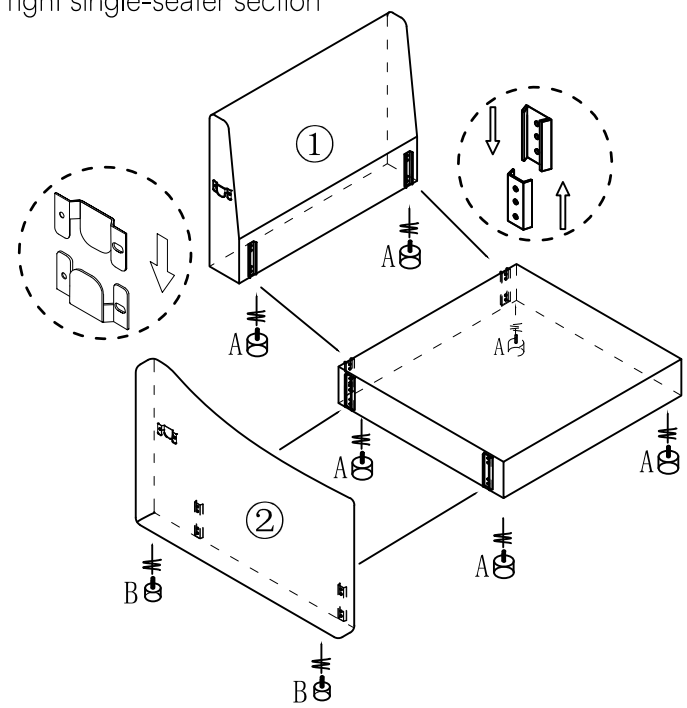
1. corner piece



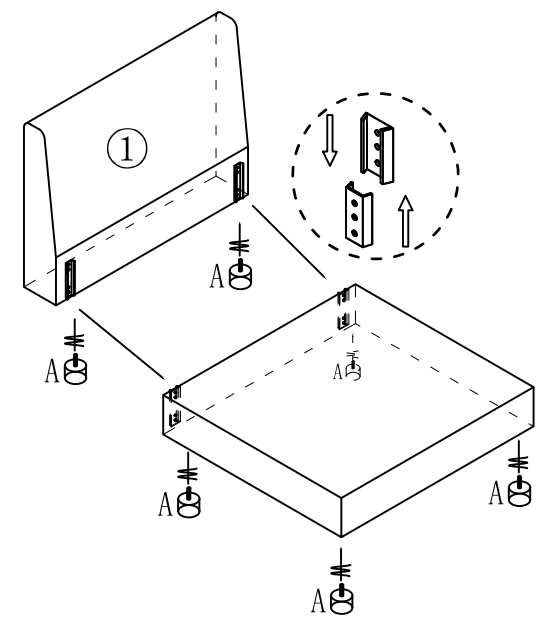
2. left two-seater section



3. right single-seater section

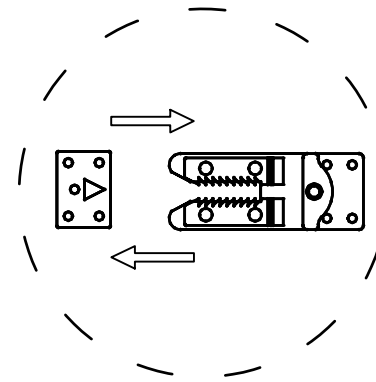
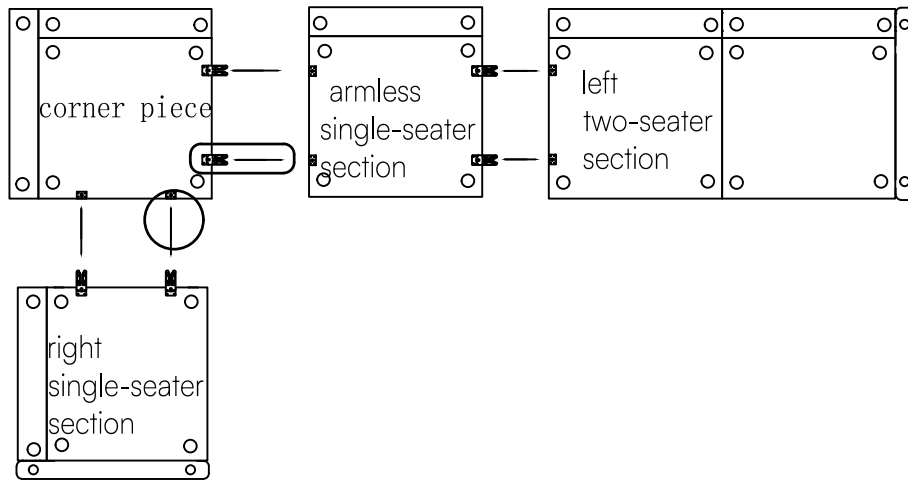


4. armless single-seater section

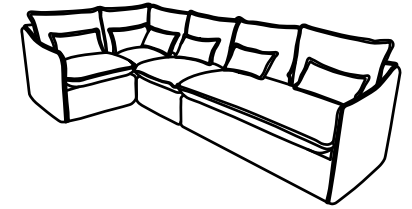


Parts list		On a red ribbon are furniture installation accessories		
Serial number	Shape	Name	Quantity required for installation	Spare quantity
A		legs(7*5cm)	32	0
B		legs(5*5cm)	4	0
C				
D				
E				
F				
G				

5. Assemble all sofa components



Assembly instructions

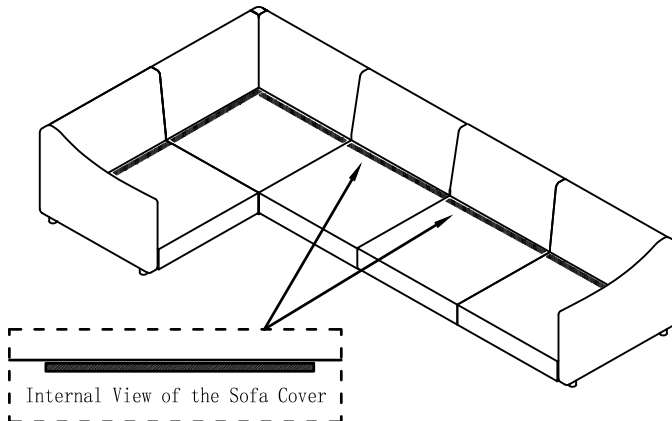


SF8248 Installation

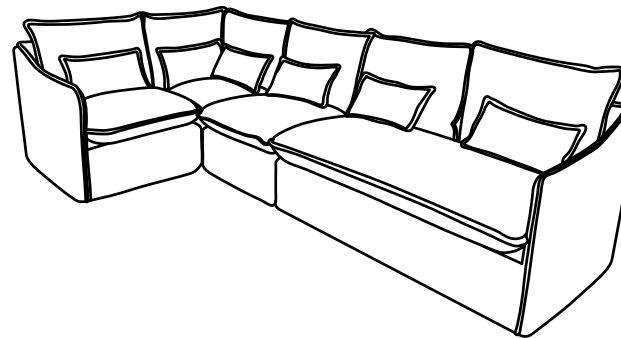
The number of people needed for installation: 2

- ① Please read the manual carefully before installing this product. And strictly follow the installation process
- ② Please take good care of this manual for your next installation
- ③ Note: Before installation, screw all the screws to 1/2 of the length of the installation. After all screws are half screwed in, tighten them all together.

6. Place the sofa cover on the sofa backrest, press and smooth the velcro on its back onto the innermost part of the seat cushion, then put the cover on the armrests and seat cushion in sequence, ensuring the cover remains laid flat throughout



7. Place the pillows to complete the installation



Parts list		On a red ribbon are furniture installation accessories		
Serial number	Shape	Name	Quantity required for installation	Spare quantity
A		legs(7*5cm)	32	0
B		legs(5*5cm)	4	0
C				
D				
E				
F				
G				