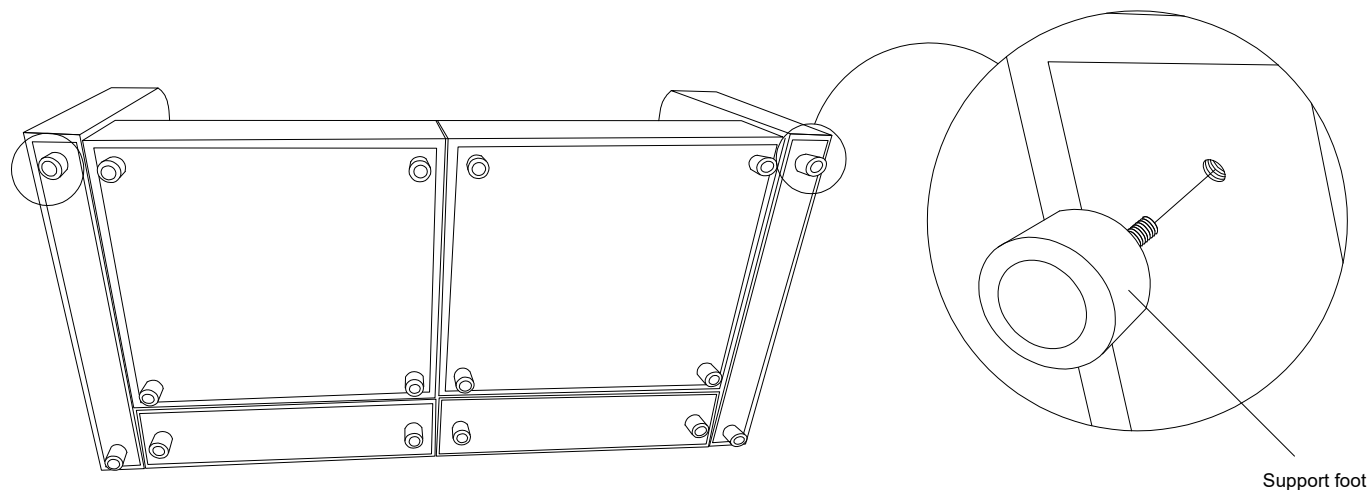
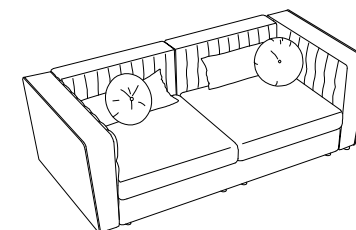


1. Attach support feet to all components



Assembly instructions

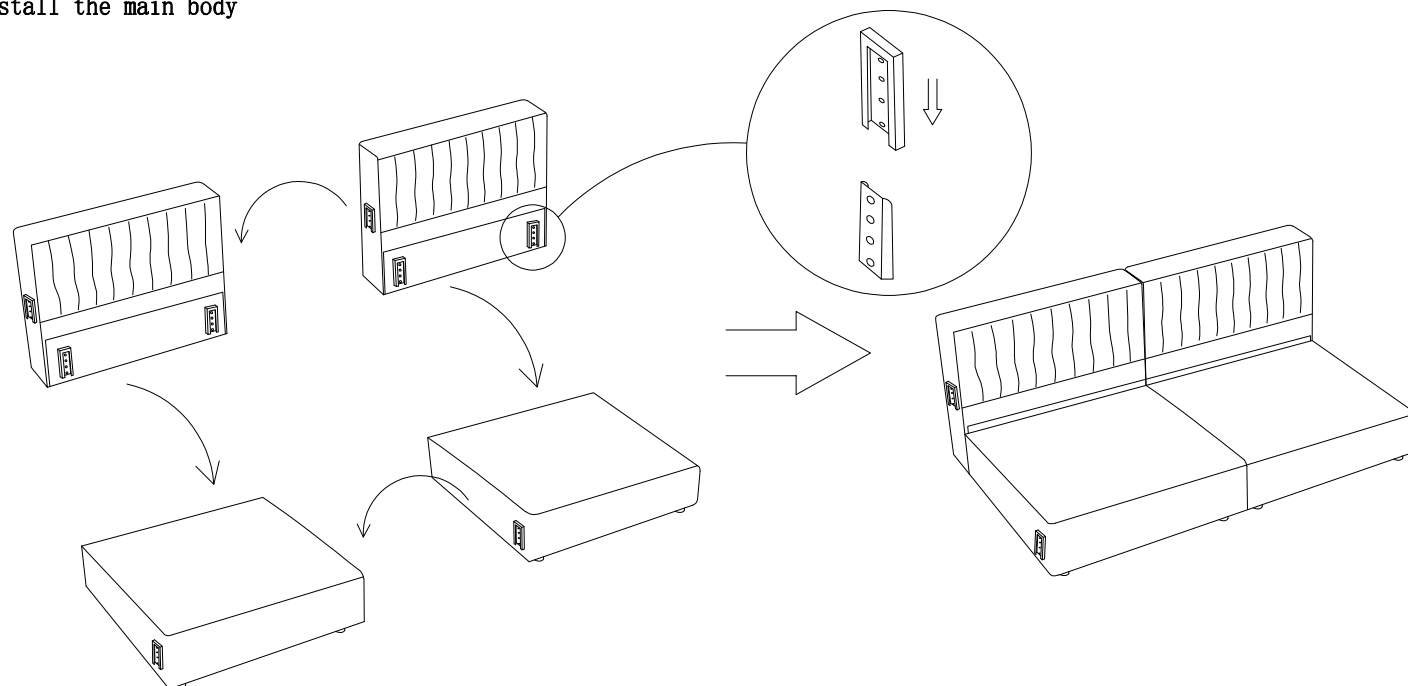


BD8240 Installation

The number of people needed for installation: 2

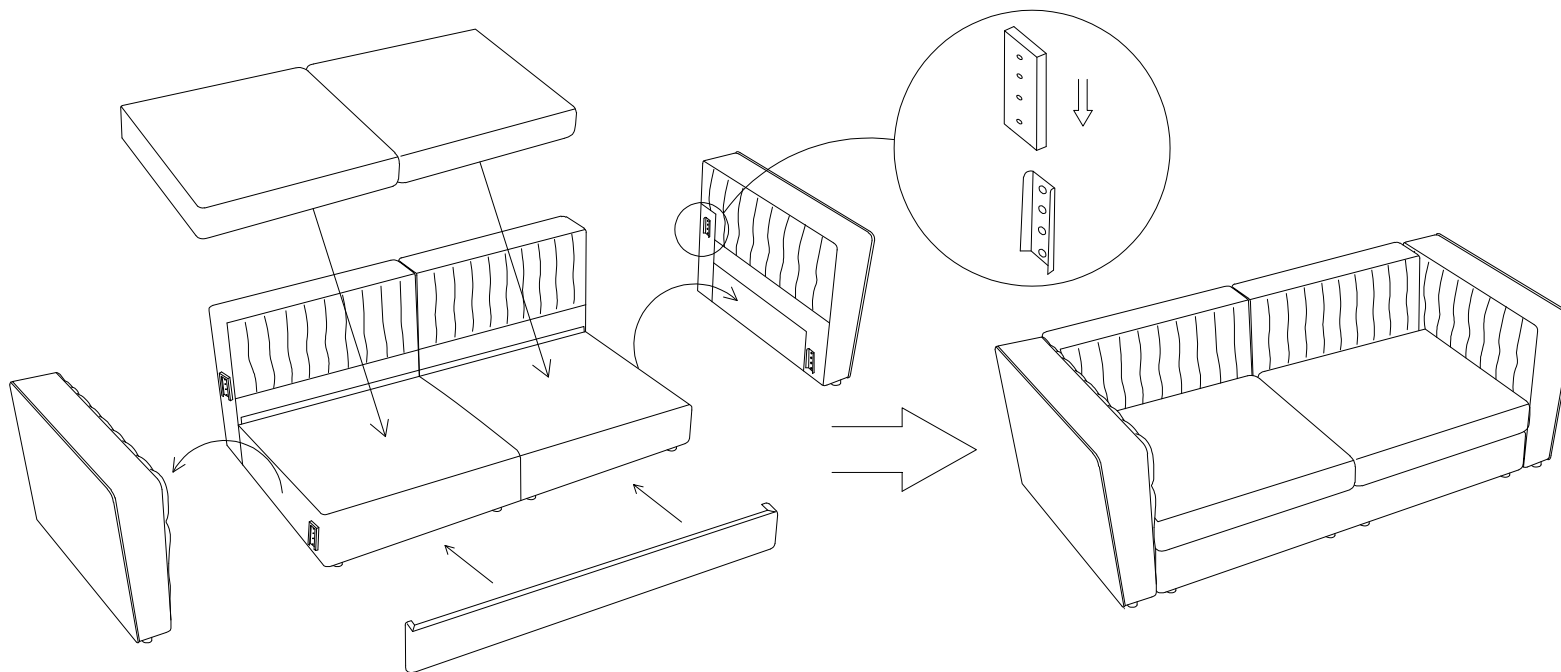
- ① Please read the manual carefully before installing this product. And strictly follow the installation process
- ② Please take good care of this manual for your next installation
- ③ Note: Before installation, screw all the screws to 1/2 of the length of the installation. After all screws are half screwed in, tighten them all together.

2. Install the main body

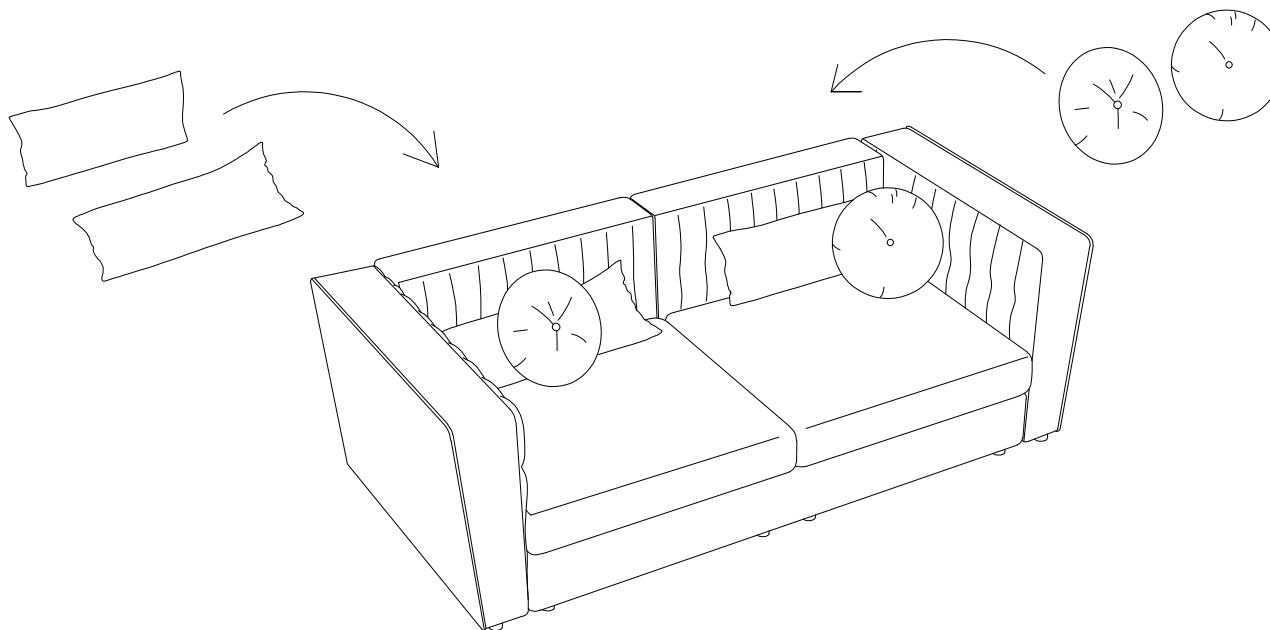


Parts list		On a red ribbon are furniture installation accessories		
Serial number	Shape	Name	Quantity required for installation	Spare quantity
A		Support foot	16	0
B				
C				
D				
E				
F				
G				

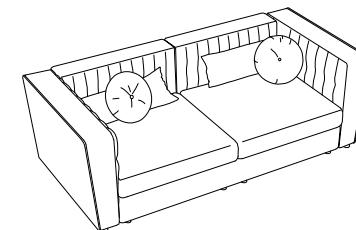
3. Attach the cloth strips, install the armrests, and put the seat cushions



4. Place the pillow on the sofa and then the installation is complete




Assembly instructions



BD8240 Installation

The number of people needed for installation: 2

- ① Please read the manual carefully before installing this product. And strictly follow the installation process
- ② Please take good care of this manual for your next installation
- ③ Note: Before installation, screw all the screws to 1/2 of the length of the installation. After all screws are half screwed in, tighten them all together.

Parts list		On a red ribbon are furniture installation accessories		
Serial number	Shape	Name	Quantity required for installation	Spare quantity
A		Support foot	16	0
B				
C				
D				
E				
F				
G				