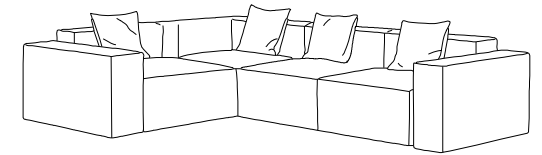


Assembly instructions

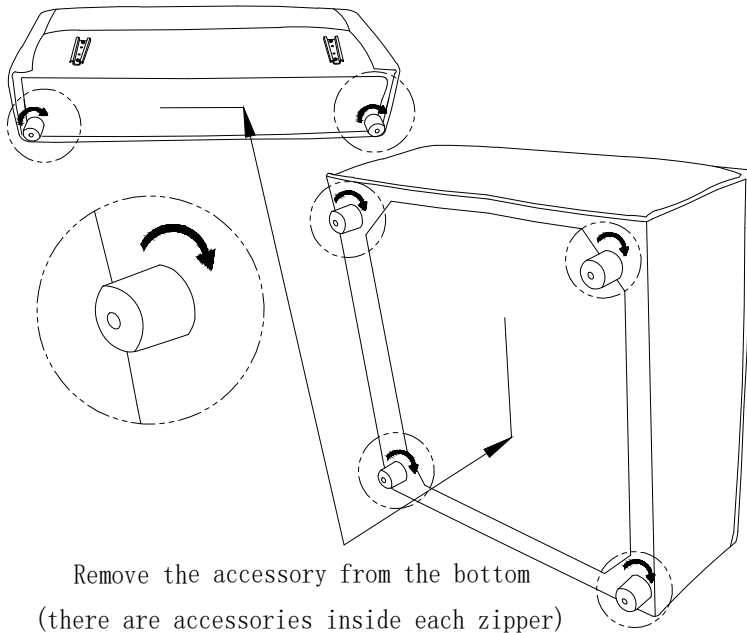


SF8041 Installation

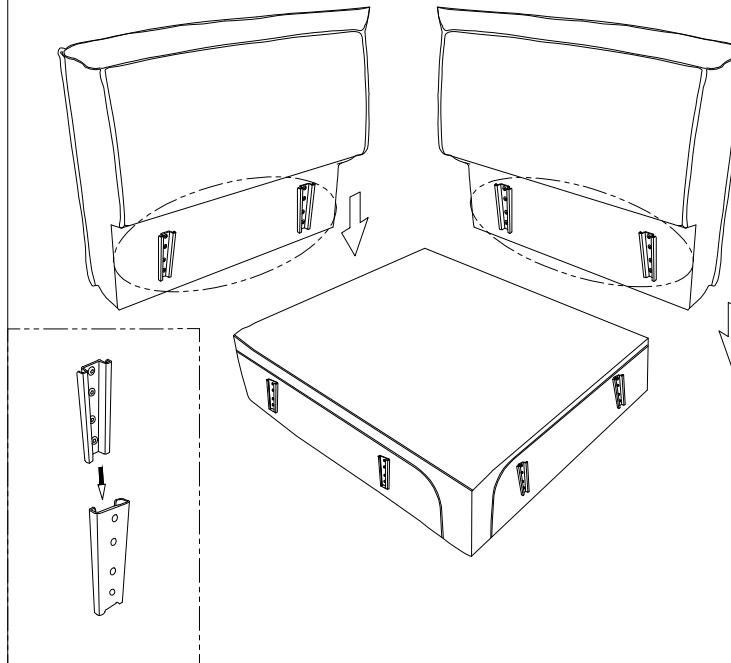
The number of people needed for installation: 2

- ① Please read the manual carefully before installing this product. And strictly follow the installation process
- ② Please take good care of this manual for your next installation
- ③ Note: Before installation, screw all the screws to 1/2 of the length of the installation. After all screws are half screwed in, tighten them all together.

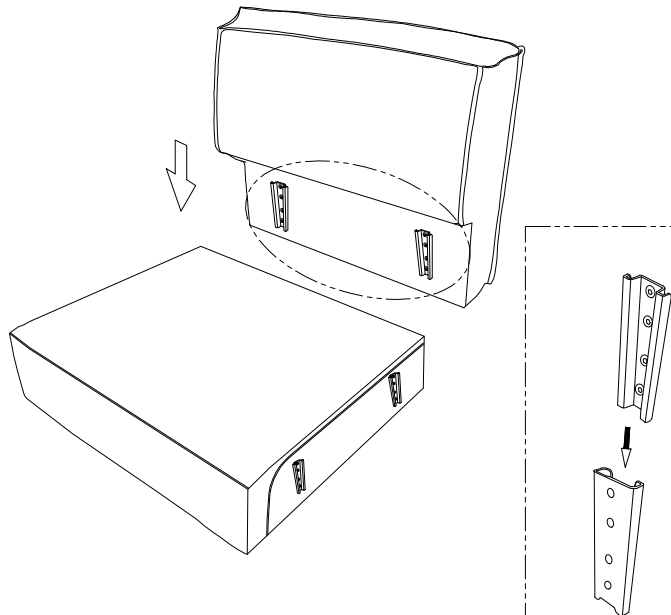
1. Install support legs (required for each sofa module)



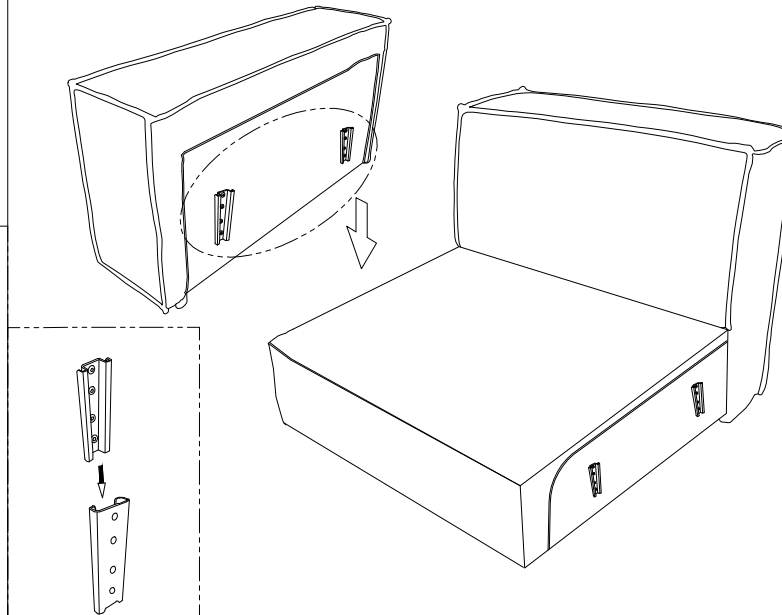
2. Install the sofa backrest (the corner position of the sofa)



3. Install the sofa backrest (Other sofa modules)



4. Install the sofa armrest (pay attention to the corresponding buckle)

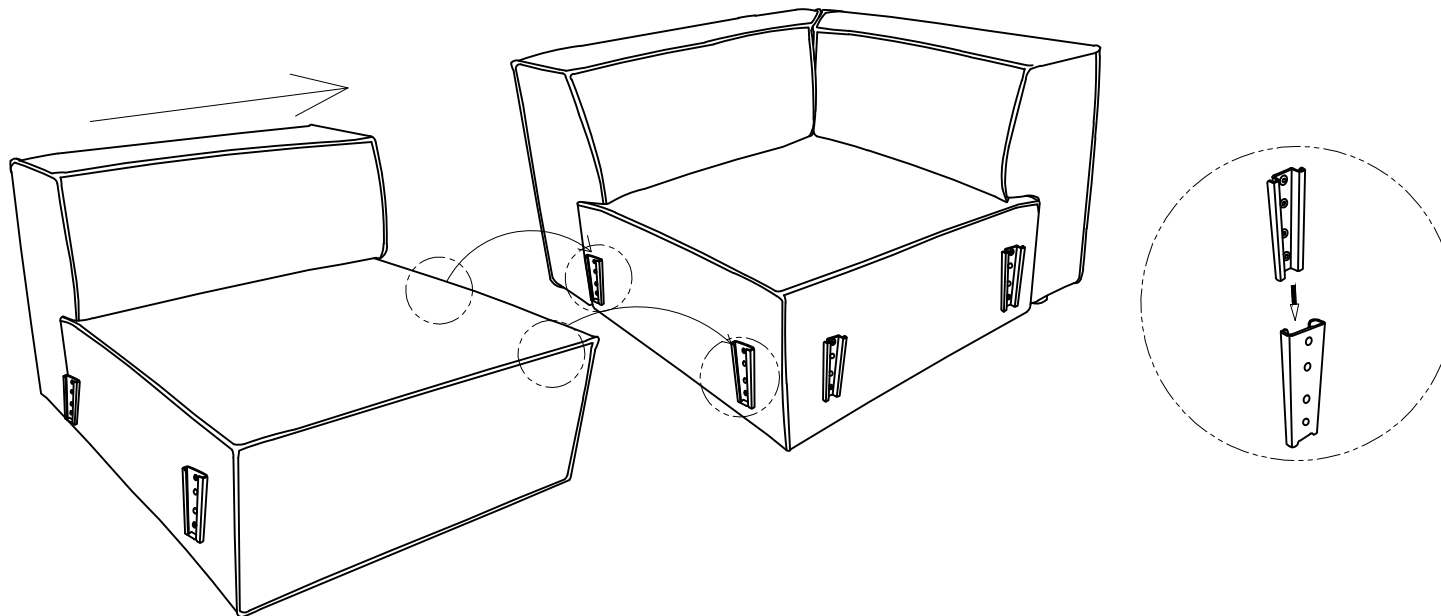


Parts list

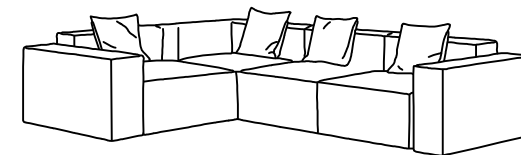
On a red ribbon are furniture installation accessories

Serial number	Shape	Name	Quantity required for installation	Spare quantity
A		Support leg		
B				
C				
D				
E				
F				
G				

5. Installation between sofa modules (all sofa modules, after the group of backrest or armrest, according to the purchase of sofa matching effect combination)



Assembly instructions

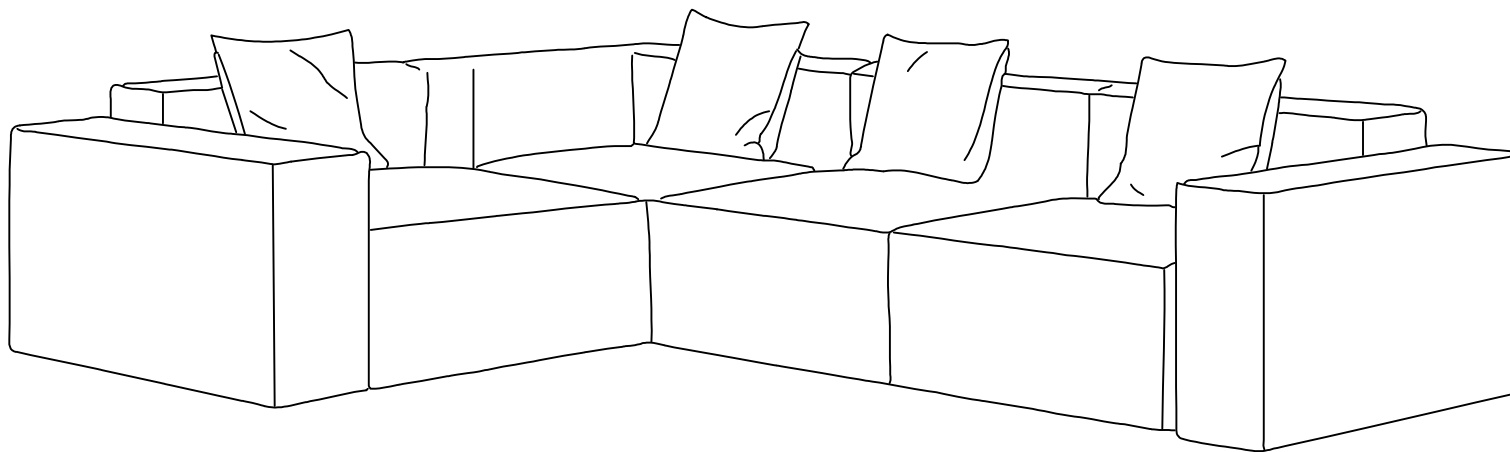


SF8041 Installation

The number of people needed for installation: 2

- ① Please read the manual carefully before installing this product. And strictly follow the installation process
- ② Please take good care of this manual for your next installation
- ③ Note: Before installation, screw all the screws to 1/2 of the length of the installation. After all screws are half screwed in, tighten them all together.

6. installation complete



Parts list

On a red ribbon are furniture installation accessories

Serial number	Shape	Name	Quantity required for installation	Spare quantity
A		Support leg		
B				
C				
D				
E				
F				
G				