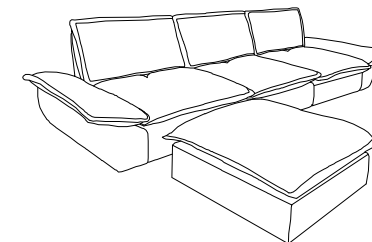


Assembly instructions

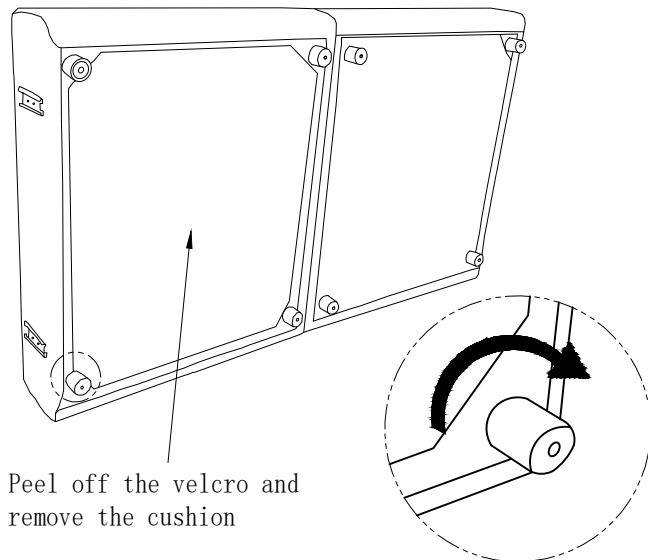


SF8181 Installation

The number of people needed for installation: 2

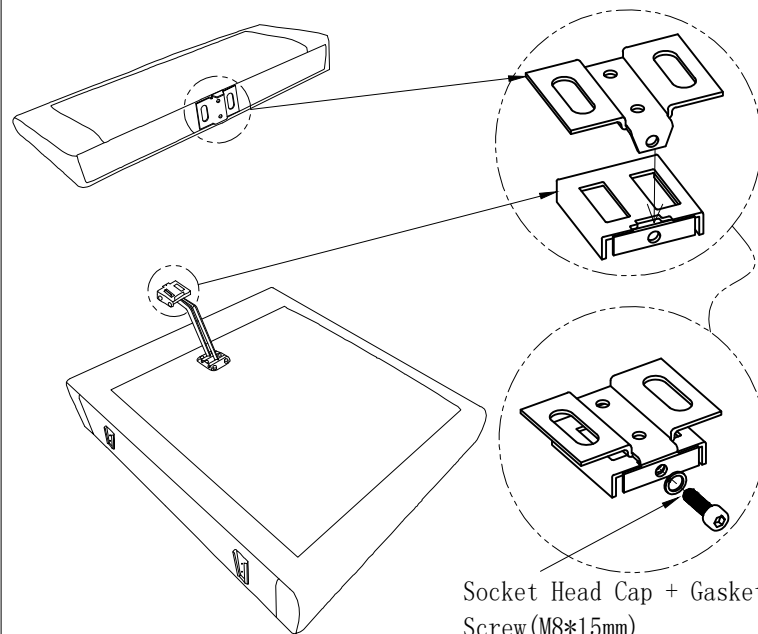
- ① Please read the manual carefully before installing this product. And strictly follow the installation process
- ② Please take good care of this manual for your next installation
- ③ Note: Before installation, screw all the screws to 1/2 of the length of the installation. After all screws are half screwed in, tighten them all together.

1. Install support legs (required for each sofa module)



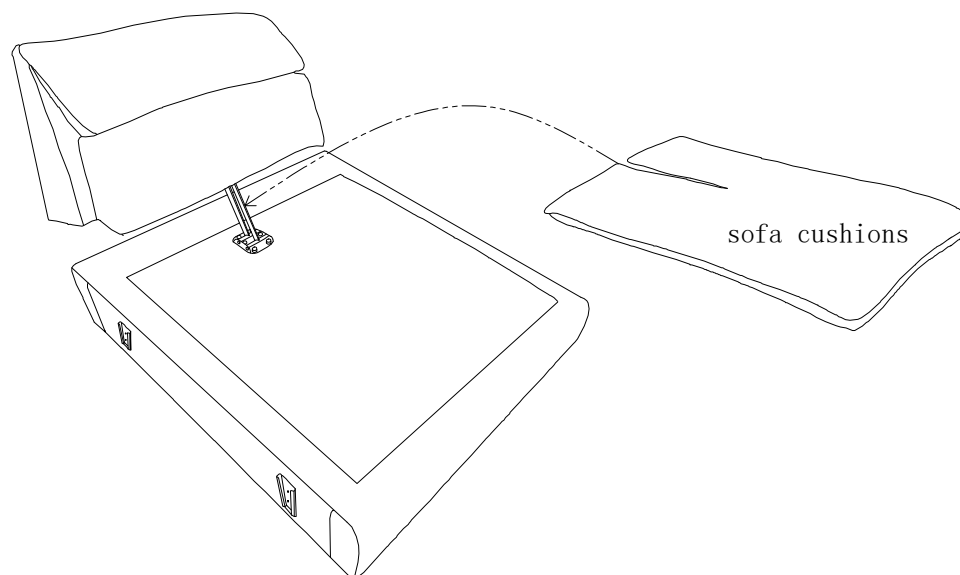
Peel off the velcro and remove the cushion

2. Install a movable sofa backrest



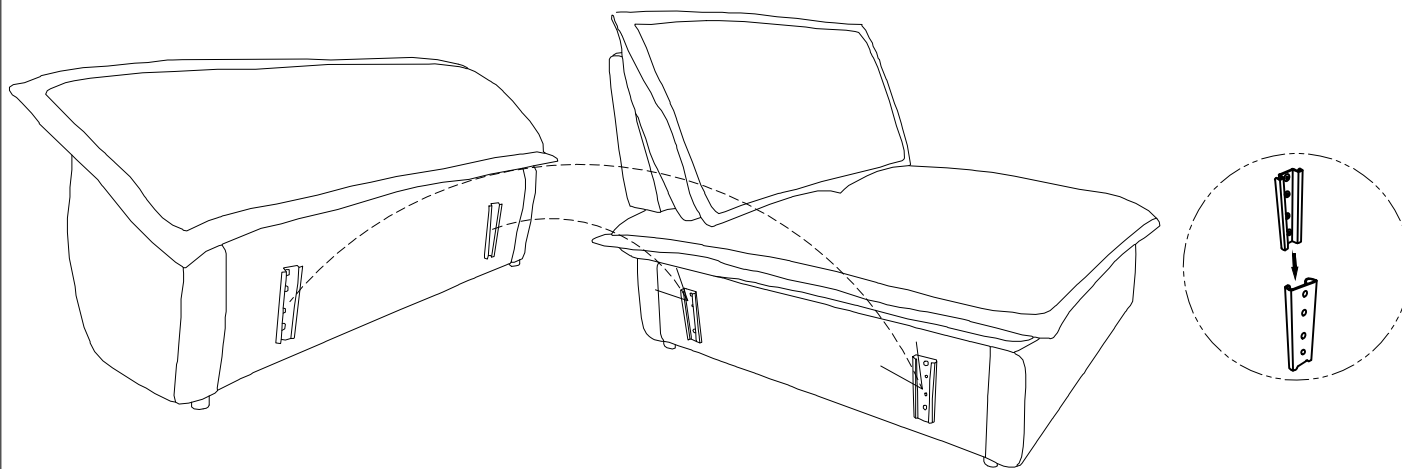
Socket Head Cap + Gasket Screw (M8*15mm)

3. Place the sofa cushions as pictured

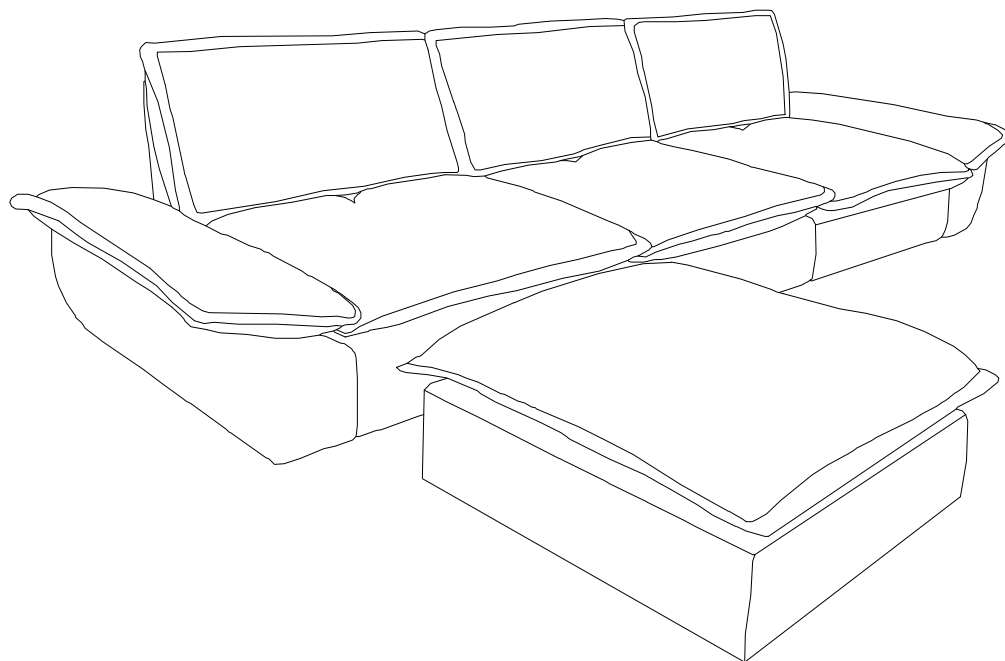


Parts list		The number of accessories for a sofa module		
Serial number	Shape	Name	Quantity required for installation	Spare quantity
A		Socket Head Cap Screw (M8*15mm)	1	0
B		Gasket	1	0
C		Wrench	1	0
D		Support leg		
E				
F				
G				

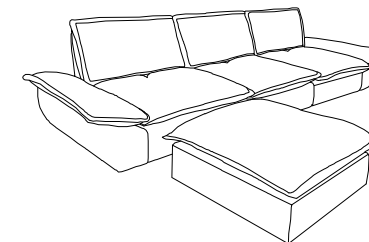
4. Place the cushions in each position and connect the individual sofa modules



5. Installation Completed (If the product is unstable or wobbles, please adjust the adjustable feet at the bottom of the product to ensure it is level with the ground.)






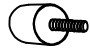
Assembly instructions



SF8181 Installation

The number of people needed for installation: 2

- ① Please read the manual carefully before installing this product. And strictly follow the installation process
- ② Please take good care of this manual for your next installation
- ③ Note: Before installation, screw all the screws to 1/2 of the length of the installation. After all screws are half screwed in, tighten them all together.

Parts list		The number of accessories for a sofa module		
Serial number	Shape	Name	Quantity required for installation	Spare quantity
A		Socket Head Cap Screw (M8*15mm)	1	0
B		Gasket	1	0
C		Wrench	1	0
D		Support leg		
E				
F				
G				