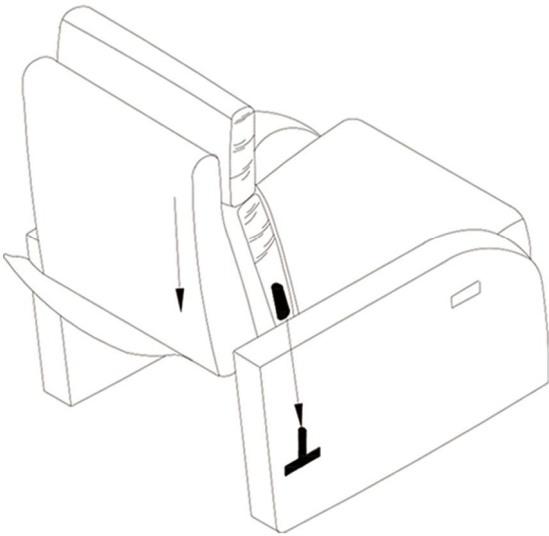


# Power Swivel Recliner Nursery Rocking Chair

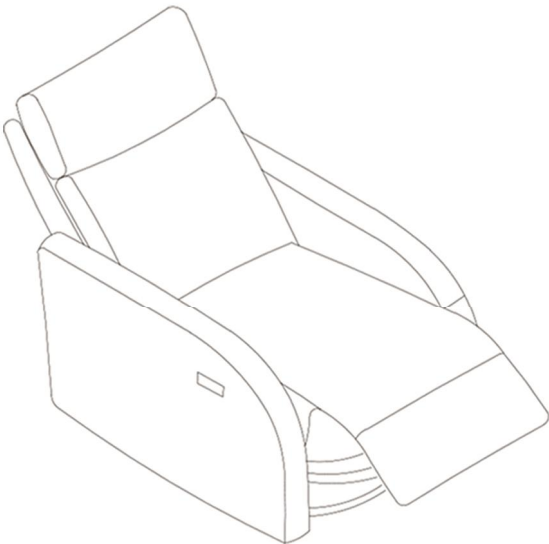
INSTRUCTION MANUAL



## 1. Assembly Instructions



1.1. Use the iron hardware underneath the cushion bag to attach the cushion bag to the seat bag;

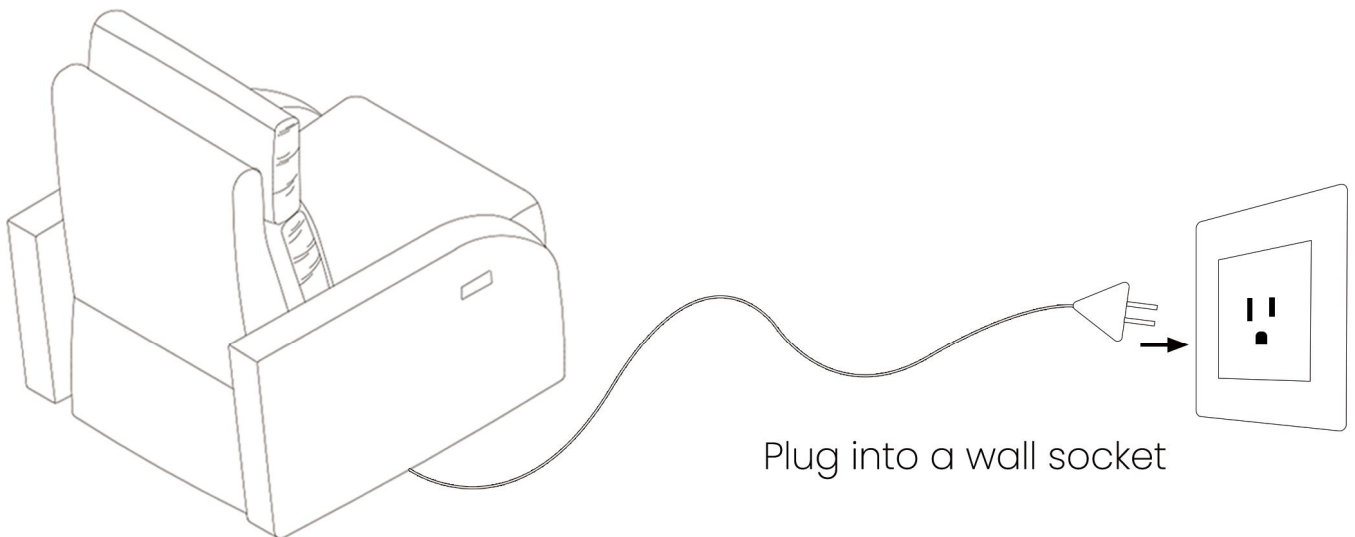


1.2. After completing the installation and connecting to the power supply, you can extend or retract the chair by pressing the button;

## 2. Operating Instructions

Press → to extend the recliner, press ← to retract the recliner  
USB Port for power charge.

## 3. Wiring Guide



## 4. Warnings

1) Sit down on the recliner gently. To avoid tipping over, do not throw yourself onto the recliner. Adjust the recliner to the reclined position slowly, ensuring that no children or pets are nearby. Do not allow children to play on or around the recliner, especially when it is reclined.

- 2) Fully close the recliner before getting up.
- 3) Do not sit on the armrest or footrest when it is reclined. This applies to both adults and children.
- 4) This recliner is designed for use by one person only.
- 5) Maximum weight capacity is 350 lbs.
- 6) To fully recline the chair, please ensure a minimum clearance of 15 inches from the wall or any obstacle.
- 7) Do not allow individuals with the following conditions to use this recliner: severe heart disease, high blood pressure, cerebral thrombosis, sensitivity or insensitivity to heat, brittle bones, or issues with waist support. This also includes pregnant women, children, and anyone advised by a doctor not to use this product.
- 8) Keep the product away from water, fire, and sharp objects (such as knives, nails, etc.).

## 5. Maintenance Manual Instructions

- 1) To avoid dropping, you should carry the recliner carefully.
- 2) If you find dirt or stains on the recliner, use a sofa-specific cleaner. Spray the cleaner onto the affected area, then gently wipe with a sponge or cloth. Do not use water, soapy water, or cleaners on waxed wooden areas. Always clean the recliner carefully and gently.
- 3) Do not place the recliner in direct sunlight or directly in front of an air conditioner, this will fade the upholstery and make it brittle.

## 6. Specification

Model: SSF0003

USB-A Output: 5V==2A

Power Adapter

Input: AC 110V~240V, 50~60Hz 1.5A

Output: DC 29V==2A

Motor

Input: DC 29V==2A

Duty Cycle: on 2 min off 18 min

**POVISON SMART**

Furniture Made with Heart and Soul