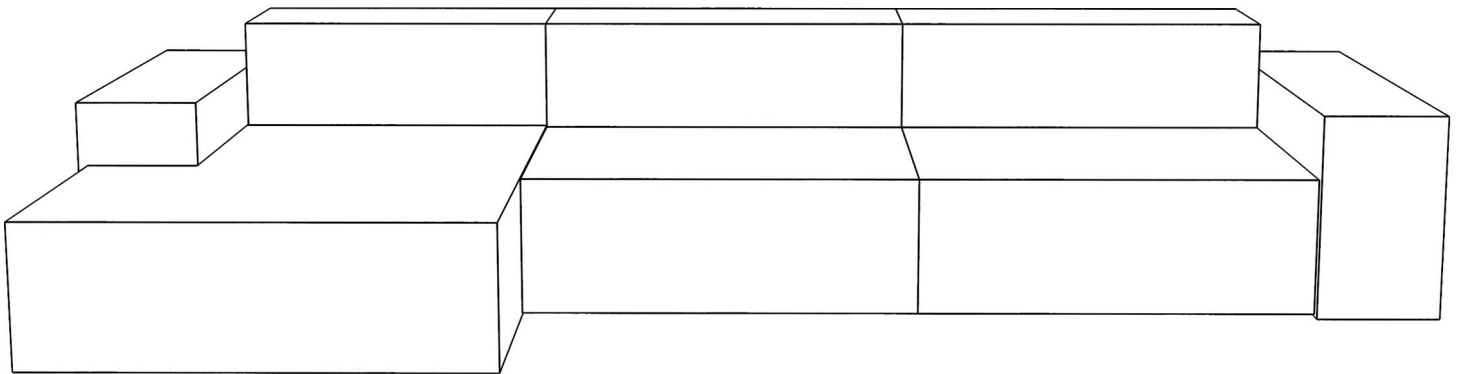
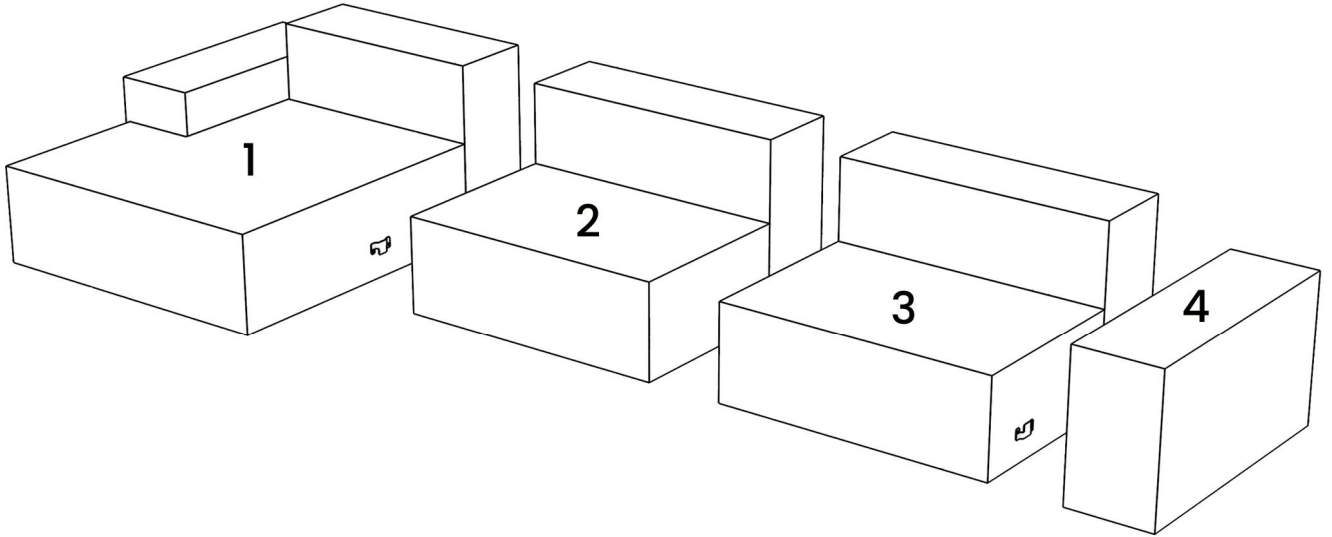


Power Sofa Bed Modular Sleeper Sofa

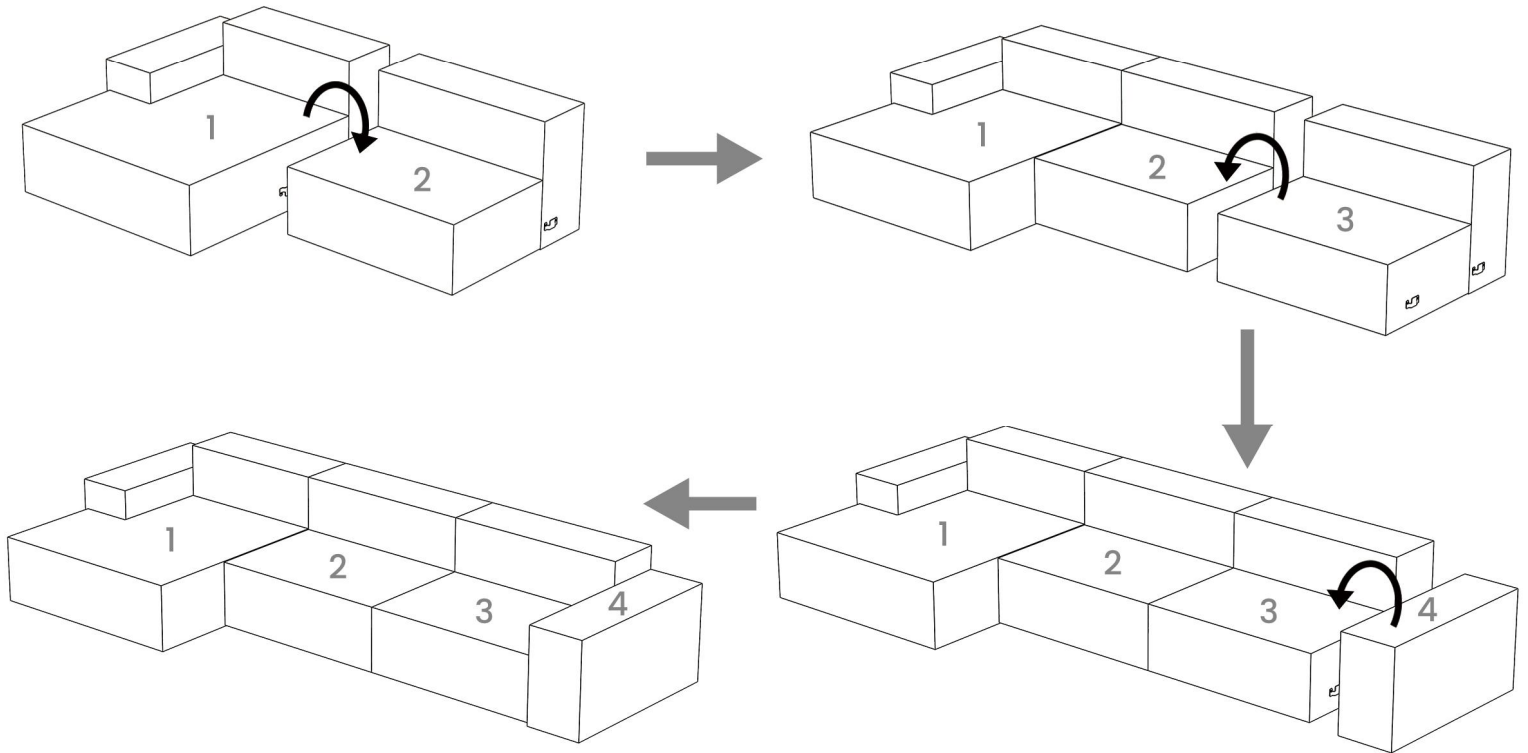
INSTRUCTION MANUAL



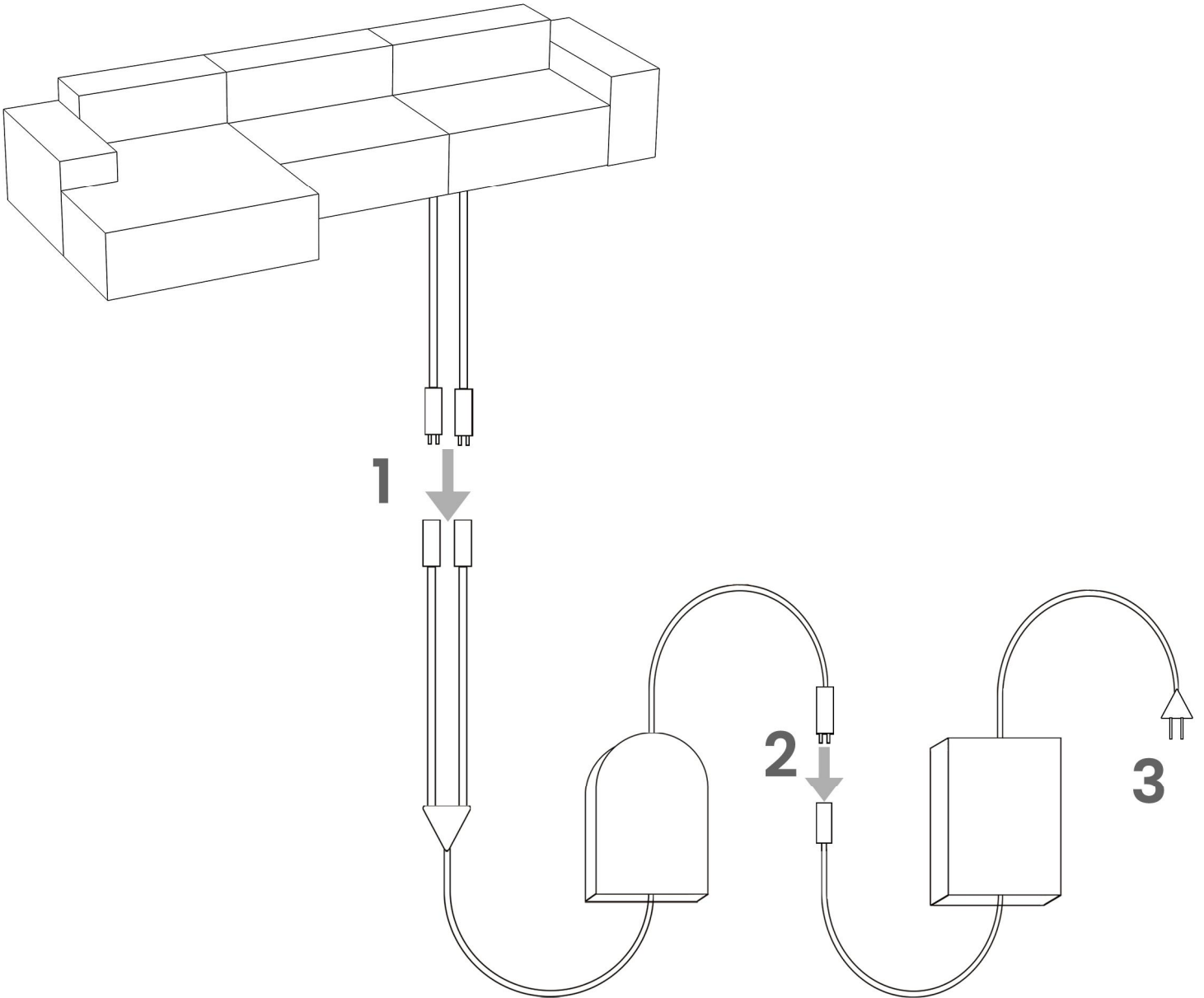
1. Package Includes



2. Assembly Instructions



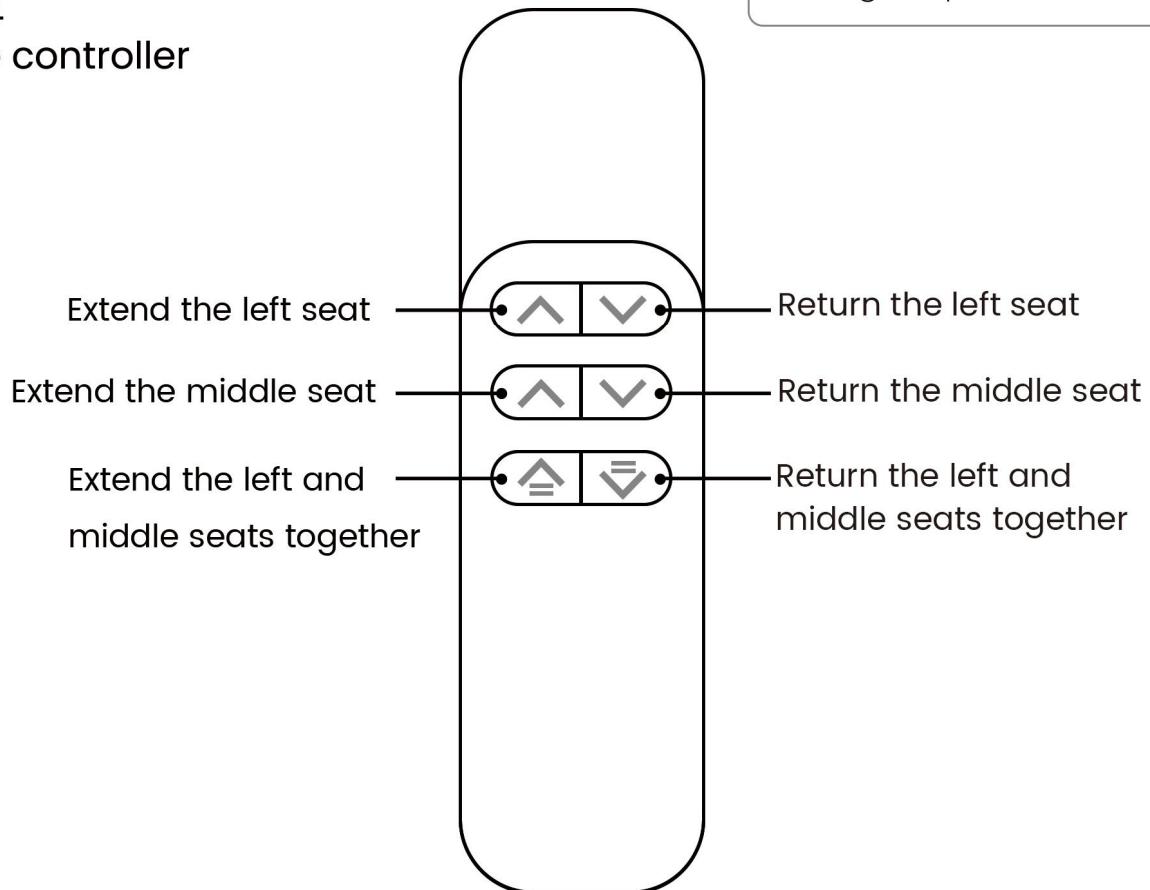
3. Wiring Guide



4. Operating Instructions

SB8004
remote controller

The seat control depends on the wiring sequence to the adapter



5. Warnings

- 1) Sit down on the sofa gently. To avoid tipping over, do not throw yourself onto the sofa. Adjust the sofa to the extended position slowly, ensuring that no children or pets are nearby. Do not allow children to play on or around the sofa, especially when it is extended.
- 2) Fully close the sofa bed before getting up.
- 3) This sofa is designed for use by one adult at a seating.

4) Do not allow individuals with the following conditions to use this sofa: severe heart disease, high blood pressure, cerebral thrombosis, sensitivity or insensitivity to heat, brittle bones, or issues with waist support. This also includes pregnant women, children, and anyone advised by a doctor not to use this product.

5) Keep the product away from water, fire, and sharp objects (such as knives, nails, etc.).

6. Maintenance Manual Instructions

1) To avoid dropping, you should carry the sofa carefully.

2) If you find dirt or stains on the sofa, use a sofa-specific cleaner. Spray the cleaner onto the affected area, then gently wipe with a sponge or cloth. Do not use water, soapy water, or cleaners on waxed wooden areas. Always clean the sofa carefully and gently.

3) Do not place the sofa in direct sunlight or directly in front of an air conditioner, this will fade the upholstery and make it brittle.

7. Specification

Power Adapter

Input: AC 110V~240V, 50~60Hz 1.6A

Output: DC 29V==2A

Motor

Input: DC 29V==2A

Duty Cycle: on 2 min off 18 min

Remote Controller

Battery: 2 x AAA batteries

(not included)

POVISON SMART

Furniture Made with Heart and Soul