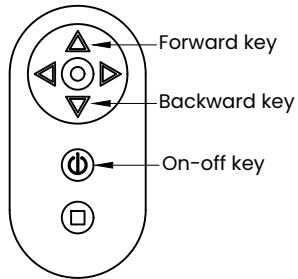
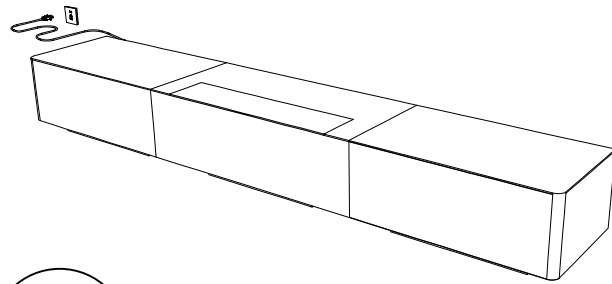
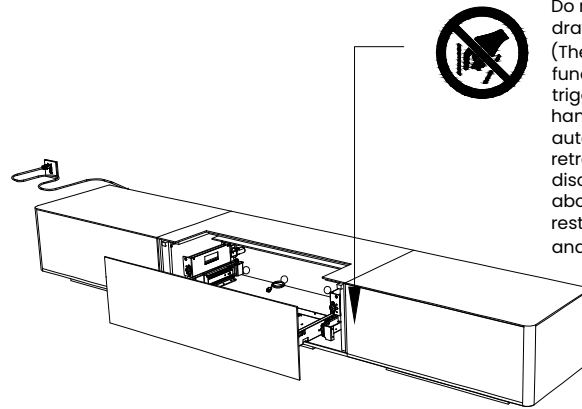


1.Plug in the power for the cabinet.



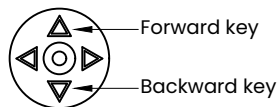
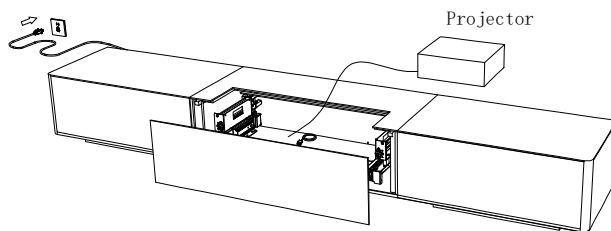
2.Press the On-off key on the remote control to start the cabinet. (The remote control for the device is paired at the factory and can be used directly.)



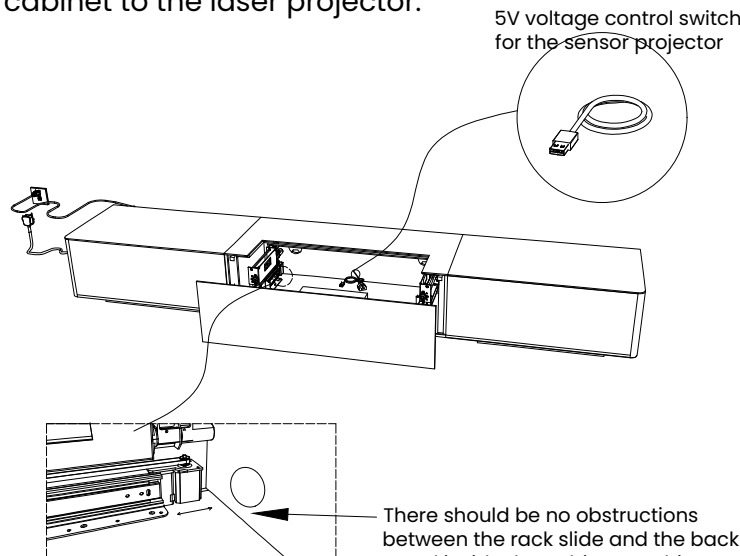
Do not push or pull the drawers with your hands. (The drawer has anti-pinch function, which will be triggered when touched by hand, stopping the automatic extension or retraction. To reset, disconnect the power for about 30 seconds and restart. The drawer will reset and reconnect for use.)



3.Use the forward and backward keys on the remote control to adjust the distance of the cabinet, then place the projector inside. (After adjusting the position of the cabinet, let it stand for 30 seconds to complete the position setting, and press the on-off key to retract)



4.After placing the projector, plug in the power for the projector, and connect the USB interface inside the cabinet to the laser projector.



5V voltage control switch for the sensor projector

There should be no obstructions between the rack slide and the back panel inside the cabinet, as this may trigger the anti-pinch function.

User guide



Product precautions

- ① If the anti-pinch function is triggered by accidental touch, unplug the power cord and wait for thirty seconds before plugging it back in. The drawer will automatically reset.
- ② There should be no obstructions blocking the extension or retraction of the drawer slide. Additionally, ensure that there is enough space behind the back panel for the projector to avoid direct contact, as both situations may trigger the anti-pinch function.
- ③ When using the remote control, there is no need to repeatedly press the buttons. Press once and wait for the sensor to respond.
- ④ If the laser projector is connected to the power source and the TV cabinet opens automatically, it indicates that the projector does not have a 5V voltage. Inserting the power cord opens the cabinet, while disconnecting the power cord closes it. (If it does not open, follow the instructions to operate it.)
- ⑤ Once the drawer position is adjusted, the original remote control can be stored away, and the opening and closing of the cabinet can be controlled using the laser projector remote control.

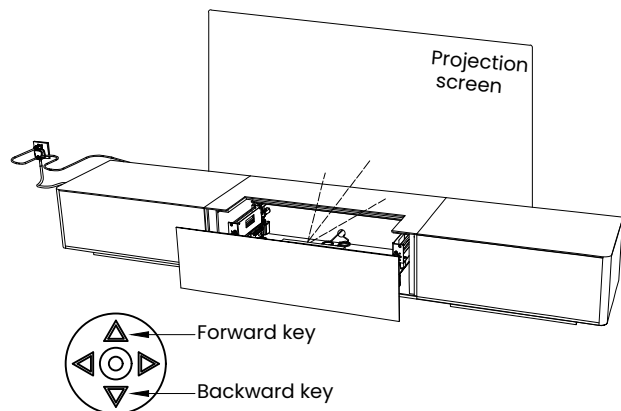
User guide



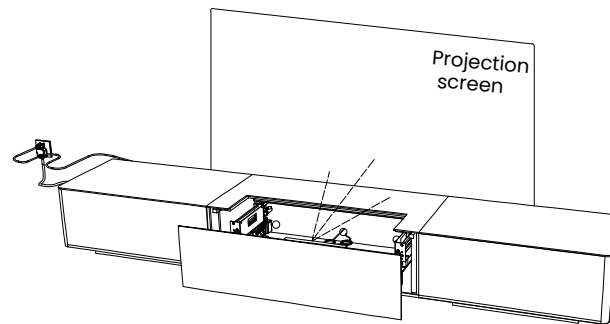
Product precautions

- ① If the anti-pinch function is triggered by accidental touch, unplug the power cord and wait for thirty seconds before plugging it back in. The drawer will automatically reset.
- ② There should be no obstructions blocking the extension or retraction of the drawer side. Additionally, ensure that there is enough space behind the back panel for the projector to avoid direct contact, as both situations may trigger the anti-pinch function.
- ③ When using the remote control, there is no need to repeatedly press the buttons. Press once and wait for the sensor to respond.
- ④ If the laser projector is connected to the power source and the TV cabinet opens automatically, it indicates that the projector does not have a 5V voltage. Inserting the power cord opens the cabinet, while disconnecting the power cord closes it. (If it does not open, follow the instructions to operate it.)
- ⑤ Once the drawer position is adjusted, the original remote control can be stored away, and the opening and closing of the cabinet can be controlled using the laser projector remote control.

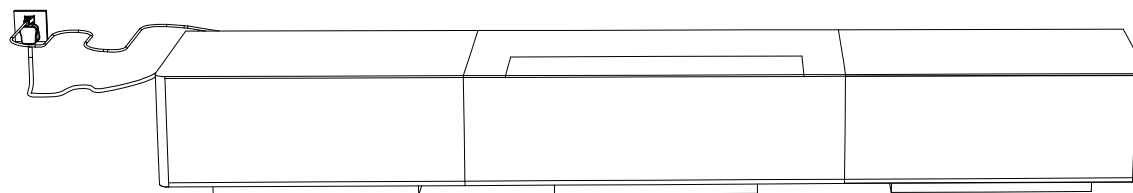
5. Use the forward and backward keys on the remote control to adjust the laser projector to the optimal projection distance. (After adjusting the position of the cabinet, wait for 30 seconds for the position setting to be completed. The next time you start, it will automatically locate the position.)



6. After adjusting the position, the projector will automatically extend when you turn it on



7. Completed.



For transportation safety considerations, this product is not equipped with a battery. Users may purchase a CR2025 battery separately and install it into the remote control for operation.