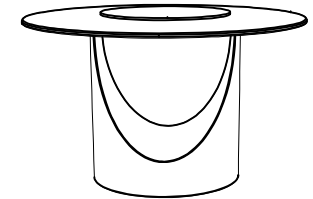


Assembly instructions

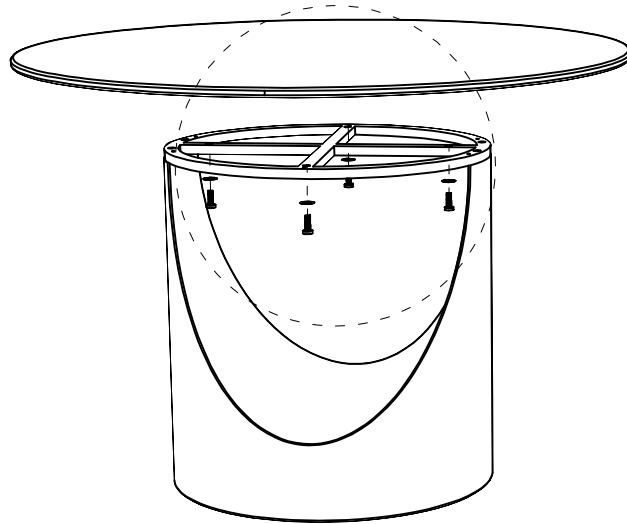


DT8168WBRI30 Installation

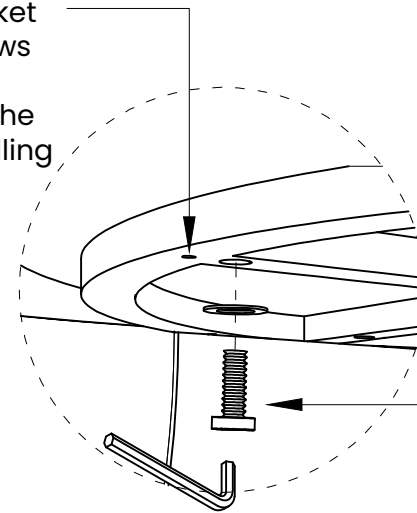
The number of people needed for installation: 2

- ① Please read the manual carefully before installing this product. And strictly follow the installation process
- ② Please take good care of this manual for your next installation
- ③ Note: Before installation, screw all the screws to 1/2 of the length of the installation. After all screws are half screwed in, tighten them all together.

1. Align the mounting holes and put in Hexagon Socket Machine Screws and tighten it.

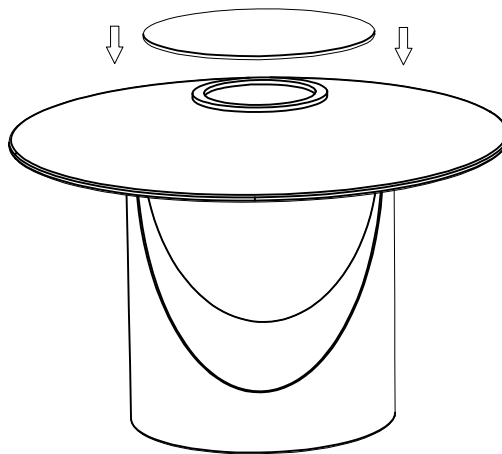


Spare Holes
(Hexagon socket machine screws holes can be screwed into the use of Self-drilling screw when damaged)

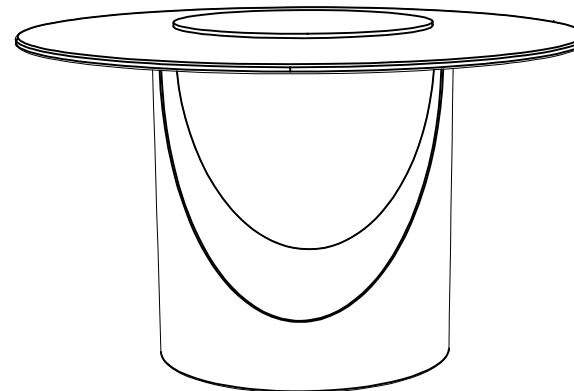


Hexagon Socket Machine Screws(M8*30mm)+Gasket

2. Place the the Lazy Susan in the direction of the arrow.



3. Installation completed.



Parts list

On a red ribbon are furniture installation accessories

Serial number	Shape	Name	Quantity required for installation	Spare quantity
A		Hexagon Socket Machine Screws (M8*30mm)	4	1
B		Gasket	4	1
C		Self-Drilling Screw(M6*25mm)	0	6
D		Mechanical adjustable feet can be screwed	0	2
E		Wrench	1	0
F				
G				