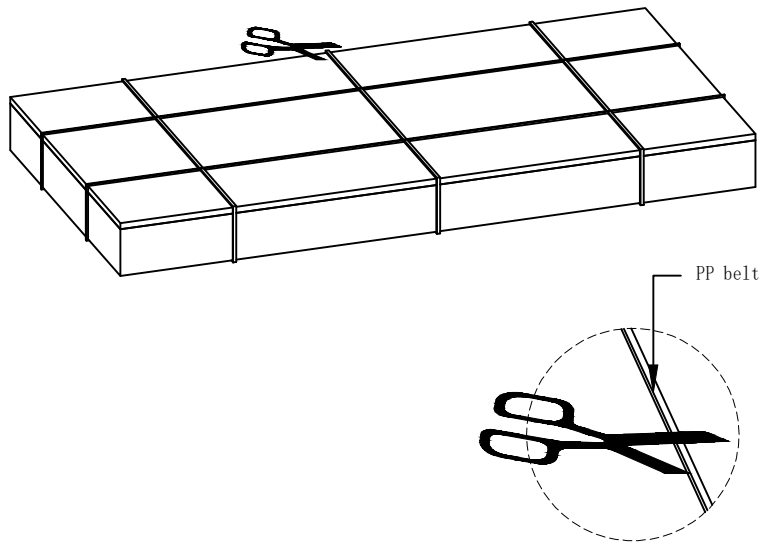
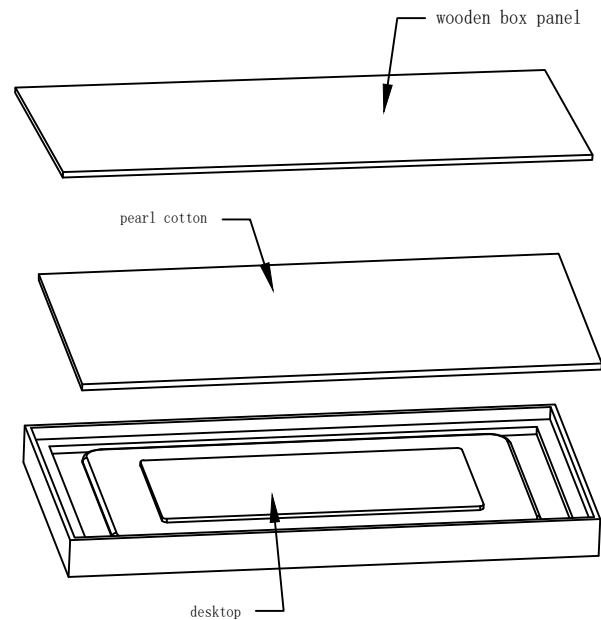


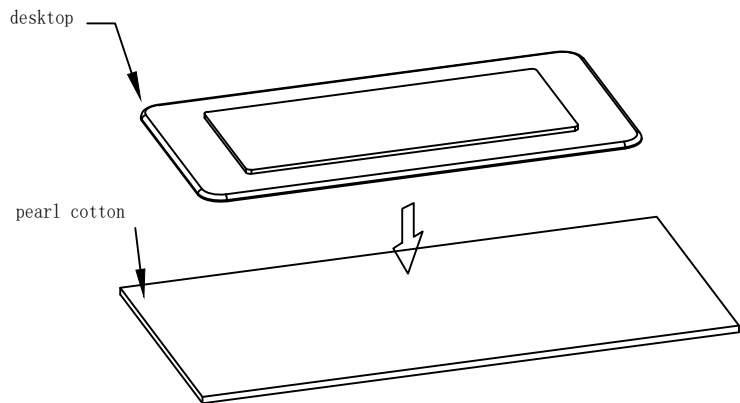
1. Unwind the PP belt with the scissors.



2. Take out the wooden box panel, remove the pearl cotton, and place it aside.



3. Place the desktop on the removed pearl cotton place (avoid collision and damage to the desktop).



4. Four people need to place the dining table above the dining table base before installation.

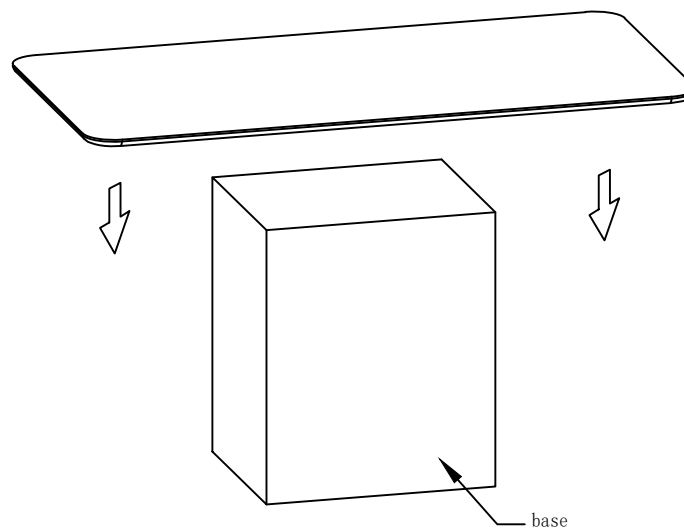
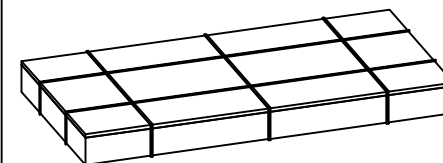


Table unpacking instructions



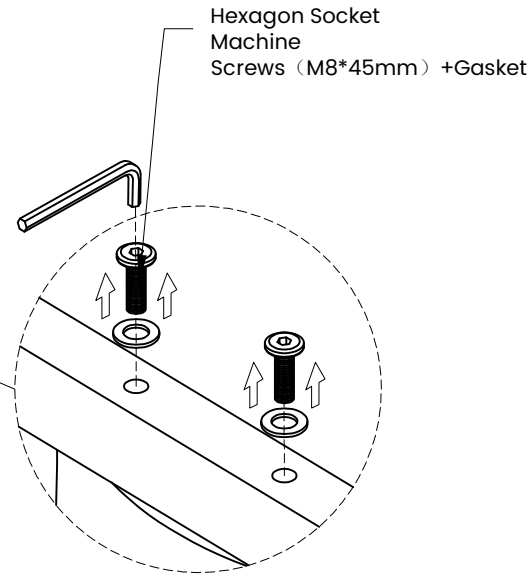
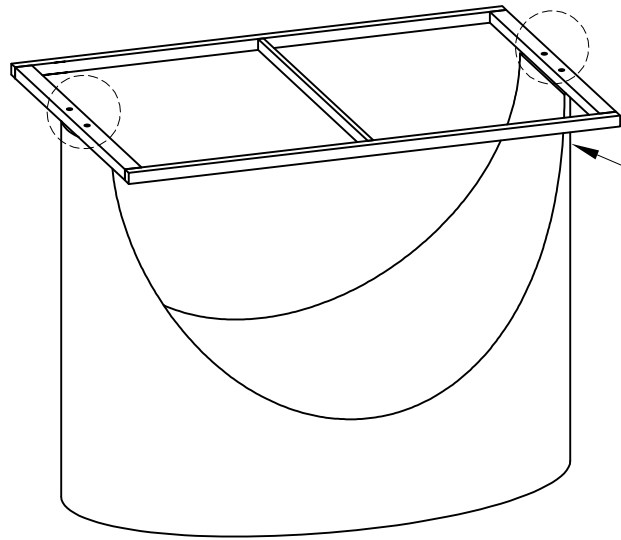
Number of people needed:4

- ① Please read the manual carefully before installing this product. And strictly follow the installation process
- ② Please take good care of this manual for your next installation

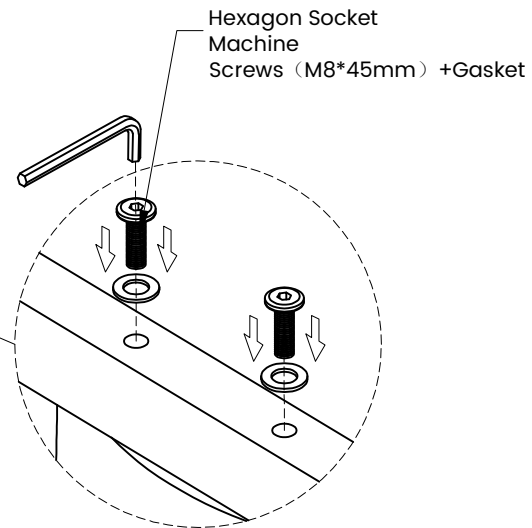
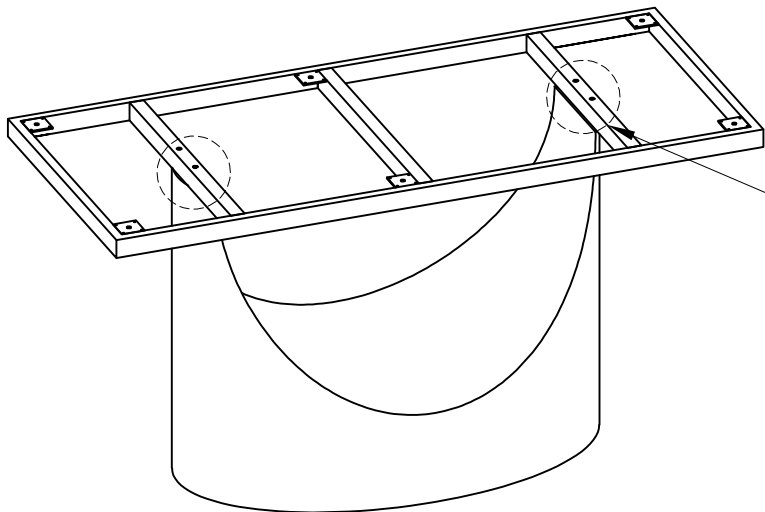
Parts list

Serial number	Shape	Name	Quantity

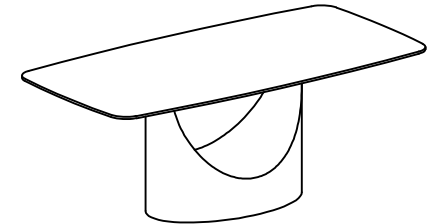
1. Remove the useless frame from the base (keep the screws)



2. Place the correct frame from the base (remove the screws from the old frame and screw them into the correct frame)









Installation instruction



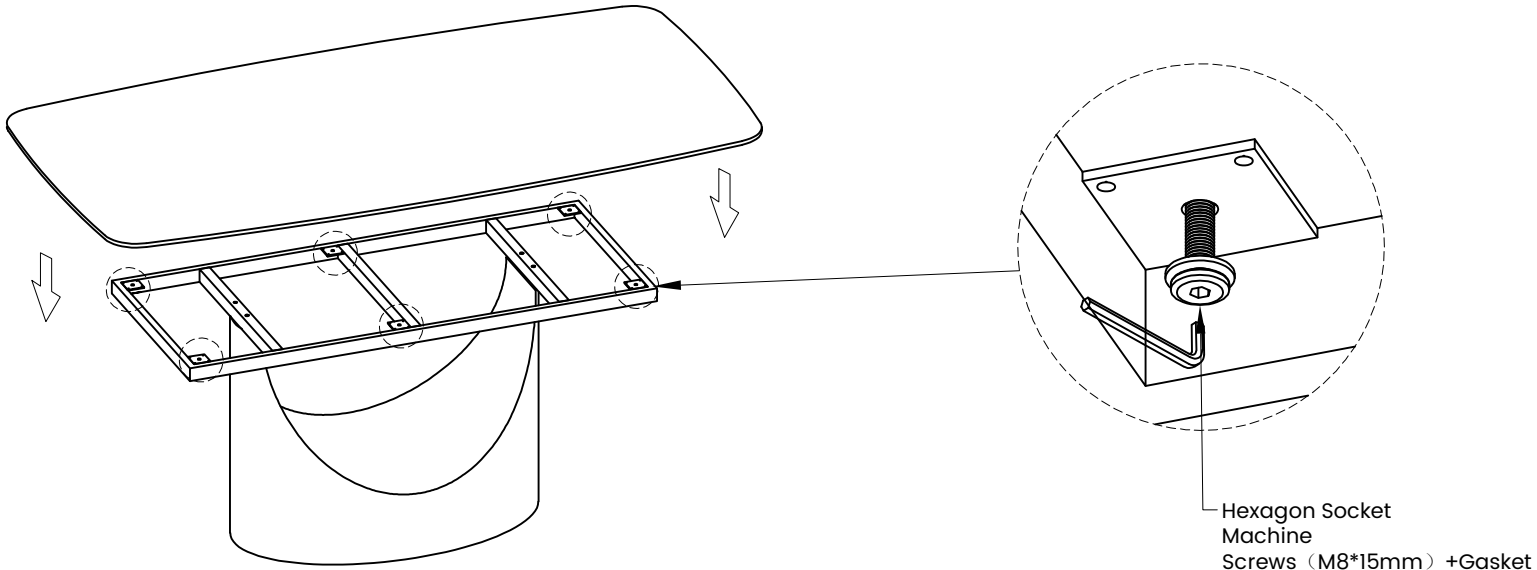
DT-009 Installation

The number of people needed for installation: 2

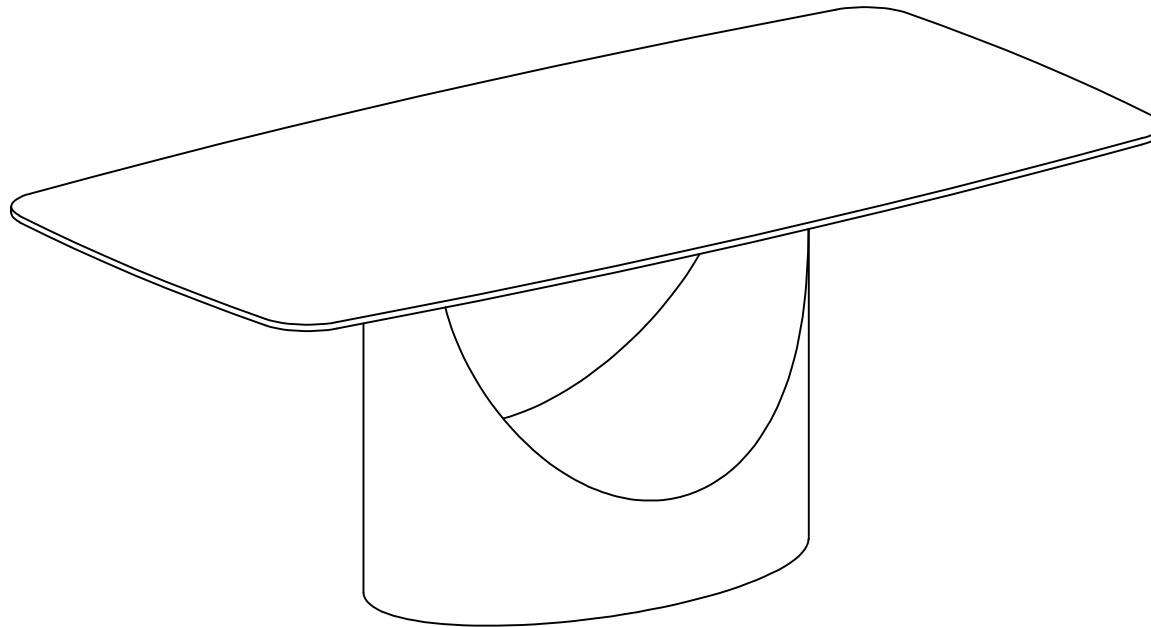
- ① Please read the manual carefully before installing this product. And strictly follow the installation process
- ② Please take good care of this manual for your next installation
- ③ Note: Before installation, screw all the screws to 1/2 of the length of the installation. After all screws are half screwed in, tighten them all together.

Parts list		On a red ribbon are furniture installation accessories		
Serial number	Shape	Name	Quantity required for installation	Spare quantity
A		Hexagon Socket Machine Screws (M8*45mm)	4	0
B		Hexagon Socket Machine Screws (M8*15mm)	4	2
C		Gasket	8	2
D		Self-Drilling Screw (M4*15mm)	0	14
E		Mechanical Adjustment Foot	0	2
F		Wrench	1	0
G				

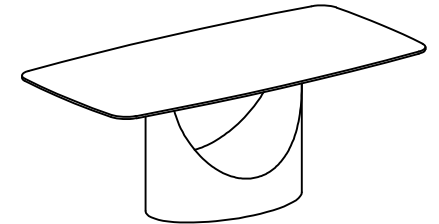
3. Place the countertop on the frame, Allen screws and spacers, and tighten the Allen screws with a wrench.



4. Installation Completed



Installation instruction



DT-009 Installation

The number of people needed for installation: 2

- ① Please read the manual carefully before installing this product. And strictly follow the installation process
- ② Please take good care of this manual for your next installation
- ③ Note: Before installation, screw all the screws to 1/2 of the length of the installation. After all screws are half screwed in, tighten them all together.

Parts list		On a red ribbon are furniture installation accessories		
Serial number	Shape	Name	Quantity required for installation	Spare quantity
A		Hexagon Socket Machine Screws (M8*45mm)	4	0
B		Hexagon Socket Machine Screws (M8*15mm)	4	2
C		Gasket	8	2
D		Self-Drilling Screw (M4*15mm)	0	14
E		Mechanical Adjustment Foot	0	2
F		Wrench	1	0
G				