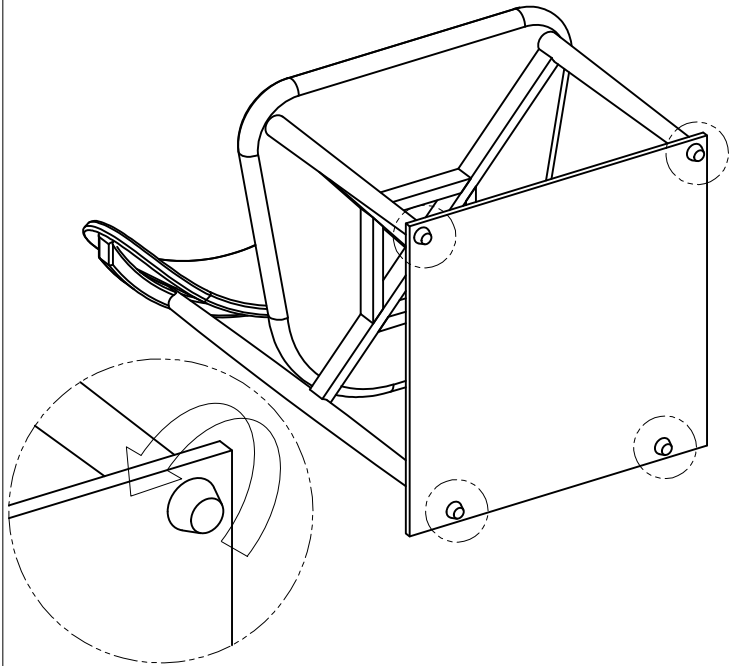
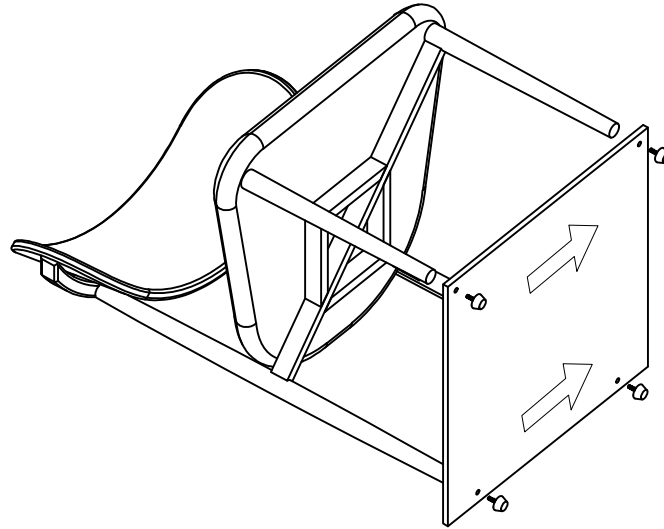


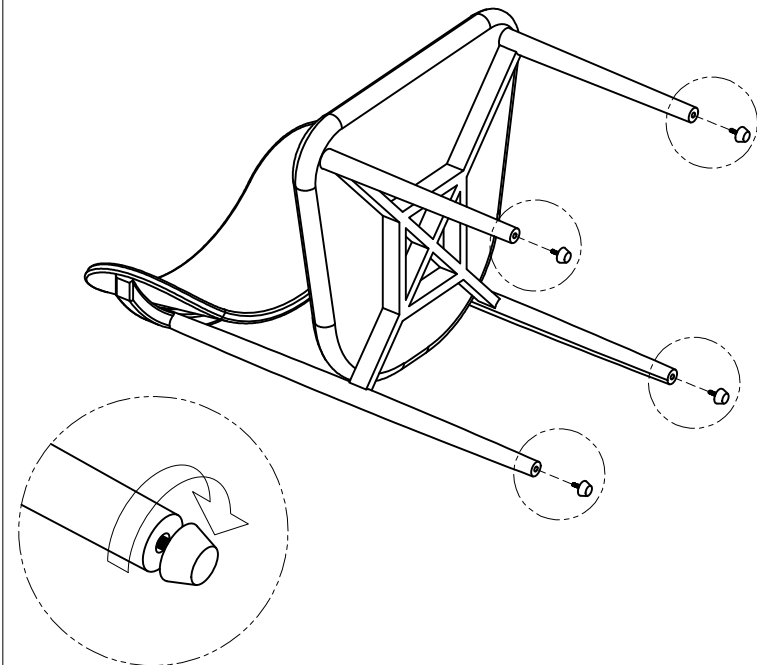
1. Remove the bottom adjustable feet by unscrewing them.



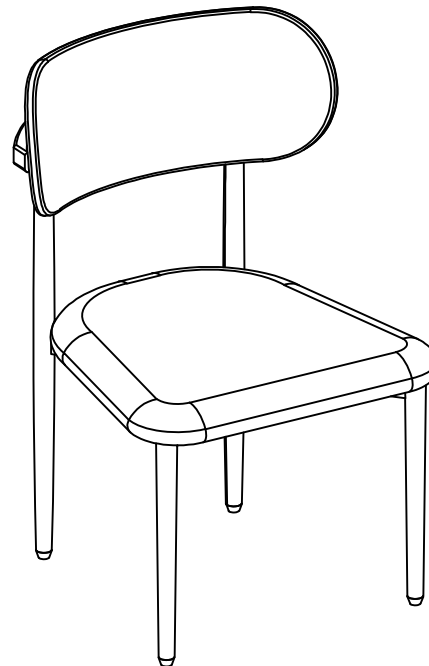
2. Take the wooden board away.



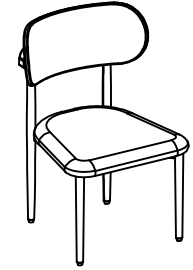
3. Screw the adjustable feet back in.



4. The installation is complete



Assembly instructions



CR8088 Installation

The number of people needed for installation: 2

- ① Please read the manual carefully before installing this product. And strictly follow the installation process
- ② Please take good care of this manual for your next installation
- ③ Note: Before installation, screw all the screws to 1/2 of the length of the installation. After all screws are half screwed in, tighten them all together.

Parts list

On a red ribbon are furniture installation accessories

Serial number	Shape	Name	Quantity required for installation	Spare quantity
A				
B				
C				
D				
E				
F				
G				