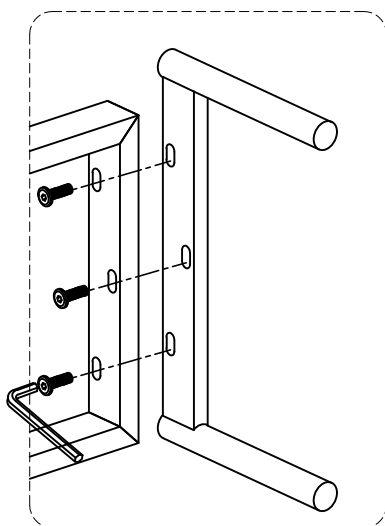
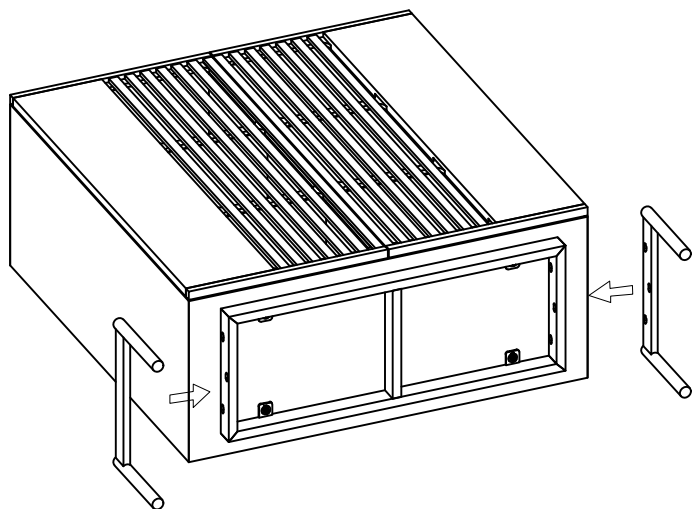
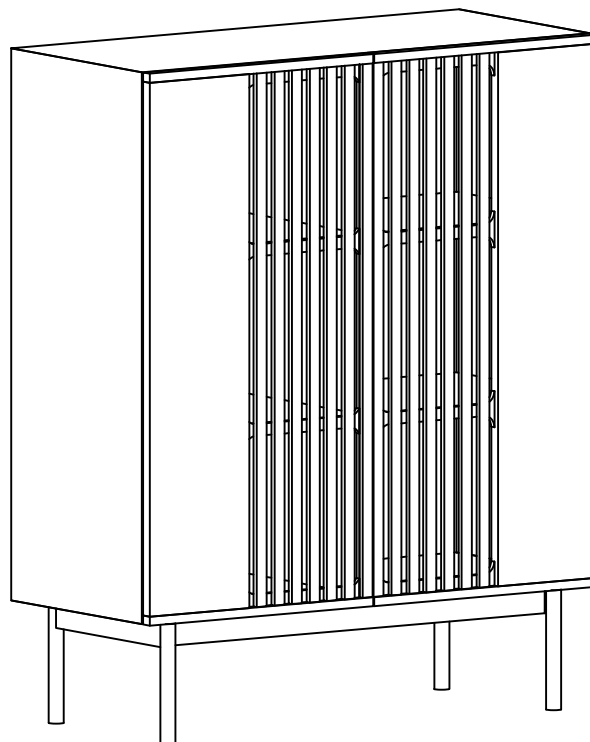


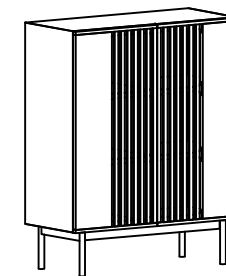
1. Install metal feet.



2. installation is complete.



## Assembly instructions



CA1017 Installation

The number of people needed for installation: 2

- ① Please read the manual carefully before installing this product. And strictly follow the installation process
- ② Please take good care of this manual for your next installation
- ③ Note: Before installation, screw all the screws to 1/2 of the length of the installation. After all screws are half screwed in, tighten them all together.

Parts list		On a red ribbon are furniture installation accessories		
Serial number	Shape	Name	Quantity required for installation	Spare quantity
A		Hexagon socket screws (M8*25mm)	6	0
B		Wrench	1	0
C				
D				
E				
F				
G				