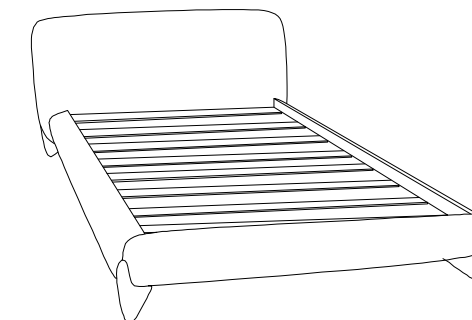


Assembly instructions

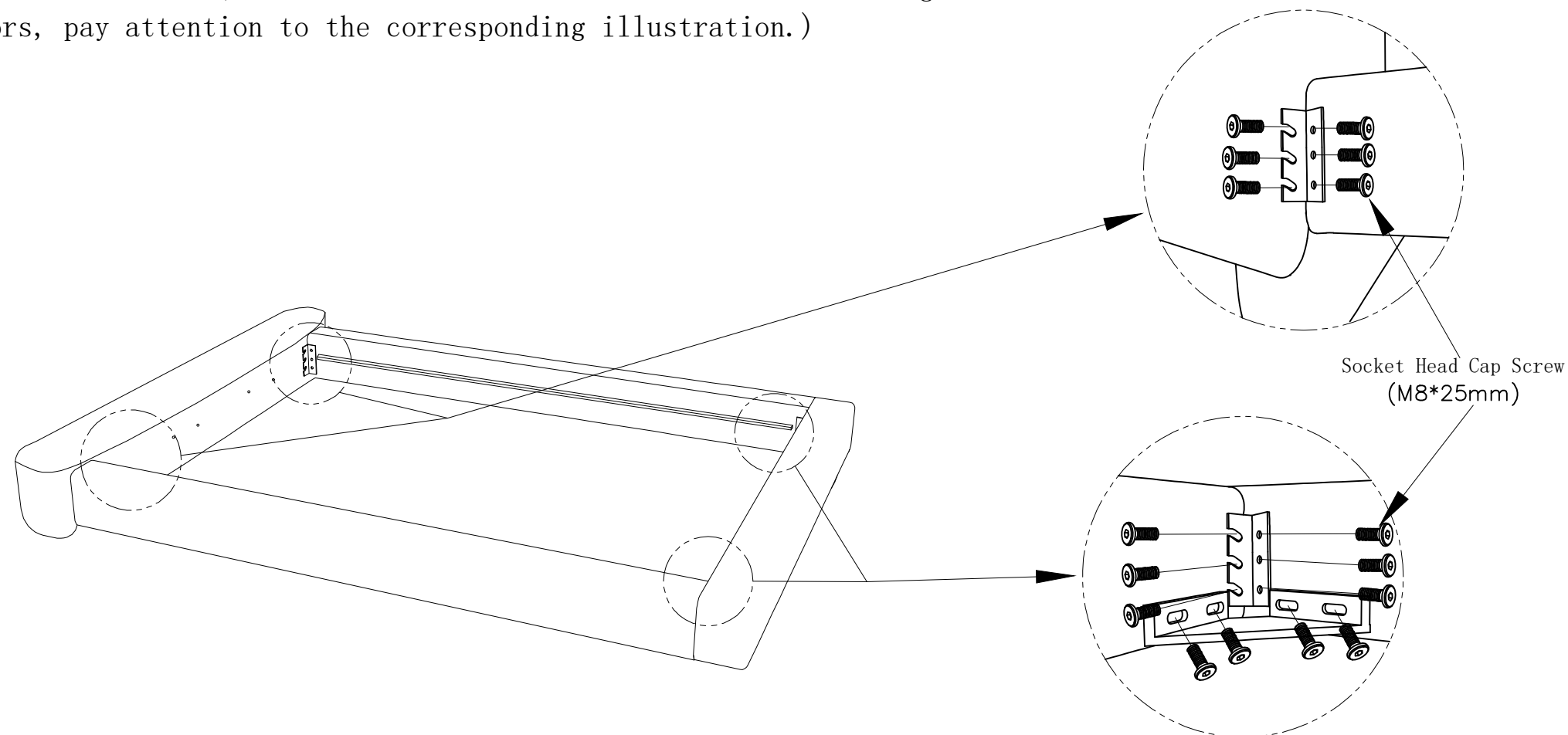


BD8046 Installation

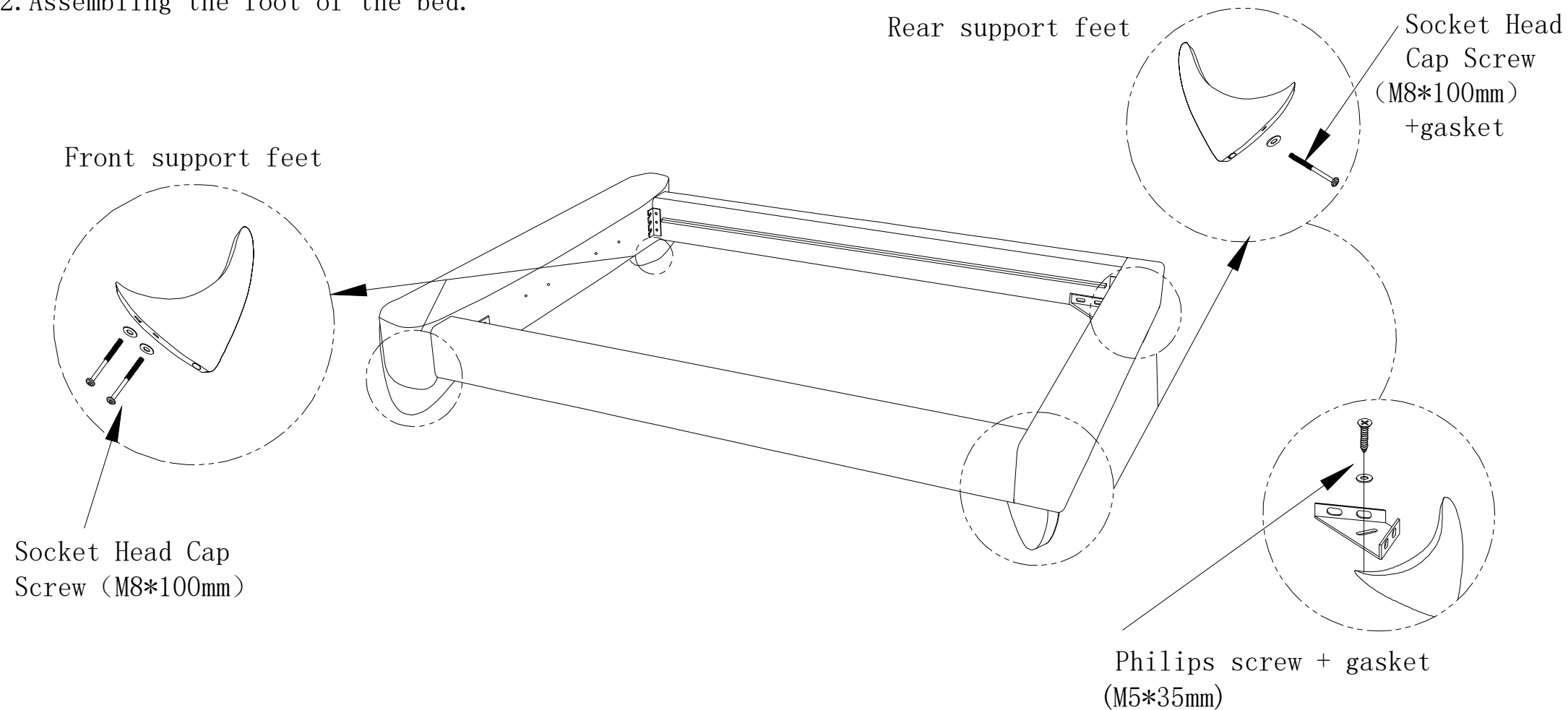
The number of people needed for installation: 2

- ① Please read the manual carefully before installing this product. And strictly follow the installation process
- ② Please take good care of this manual for your next installation
- ③ Note: Before installation, screw all the screws to 1/2 of the length of the installation. After all screws are half screwed in, tighten them all together.

1. Assemble the frame. (There is a difference between the left and right Dedicated corner connectors, pay attention to the corresponding illustration.)



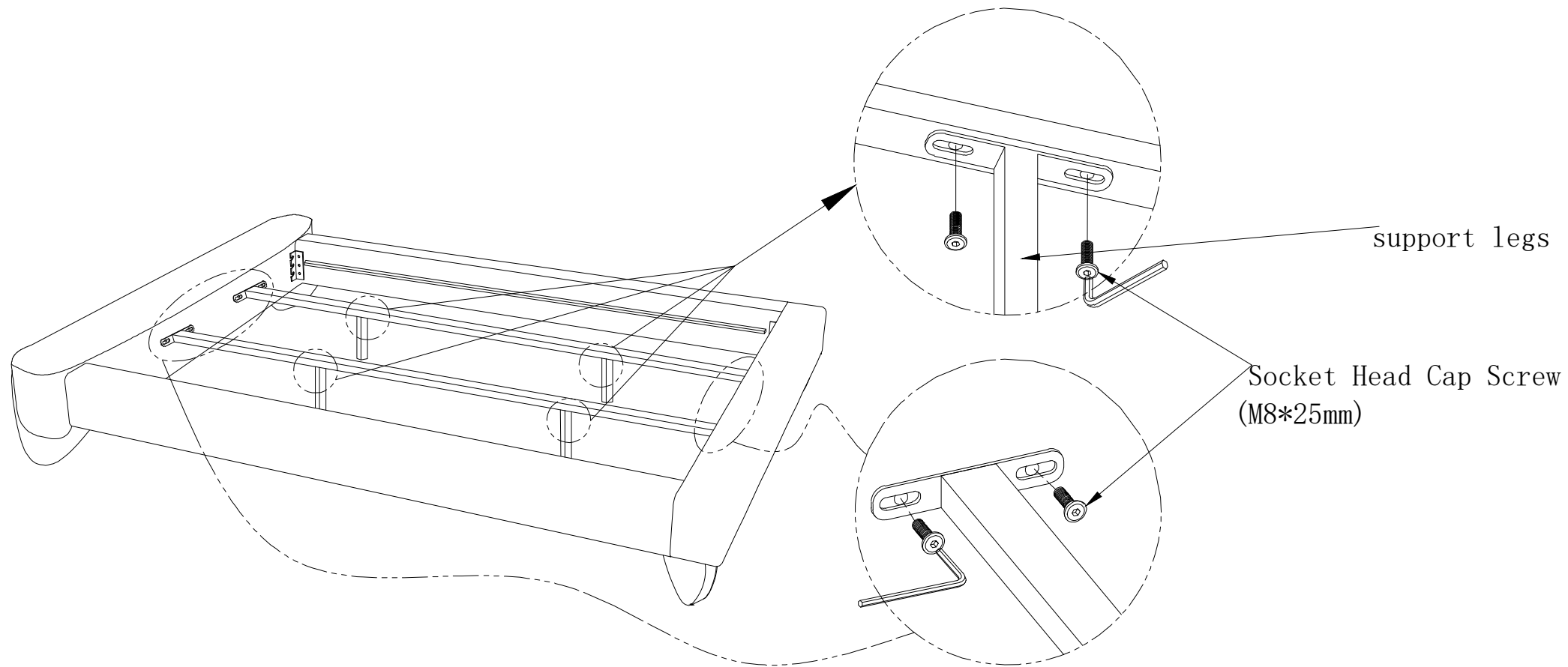
2. Assembling the foot of the bed.



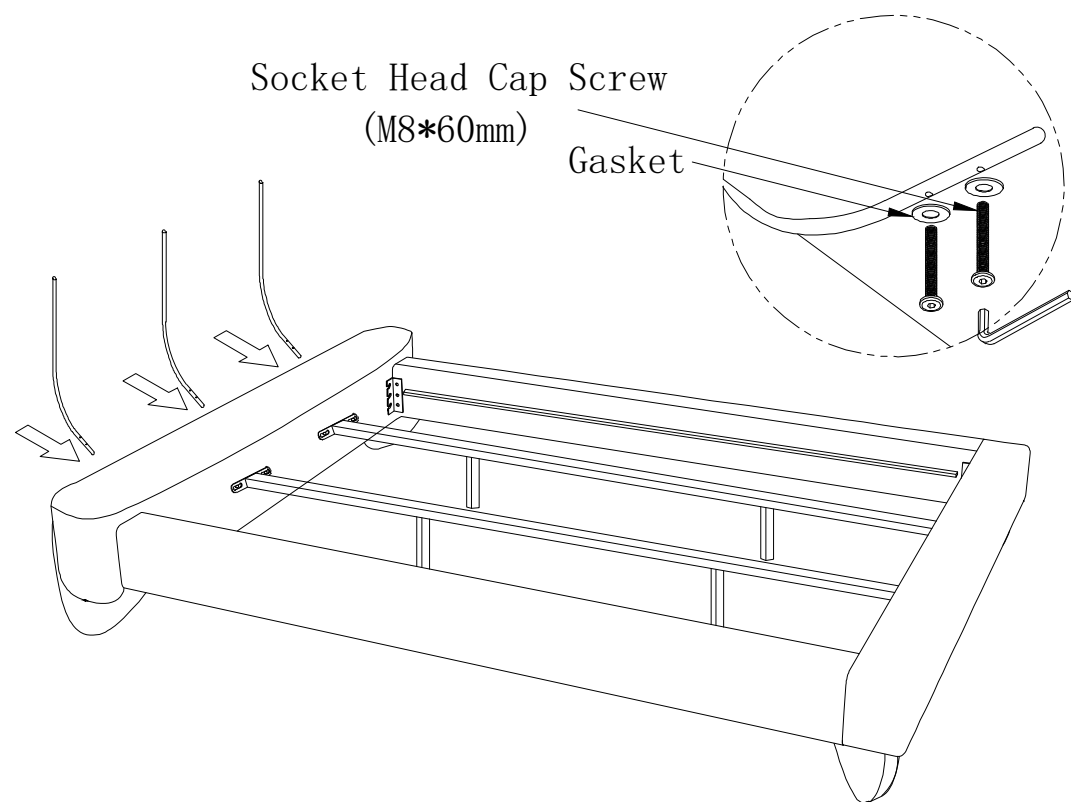
Parts list On a red ribbon are furniture installation accessories

Serial number	Shape	Name	Quantity required for installation	Spare quantity
A		Socket Head Cap Screw (M8*25mm)	48	3
B		Socket Head Cap Screw (M8*60mm)	8	0
C		Socket Head Cap Screw (M8*100mm)	6	0
D		Philips screw (M5*35mm)	20	0
E		Triangle corner connectors	2	0
F		Dedicated corner connectors	4	0
G		Support leg	4	0
H		Gasket	8	2
I		Wrench	2	0
J				
K				

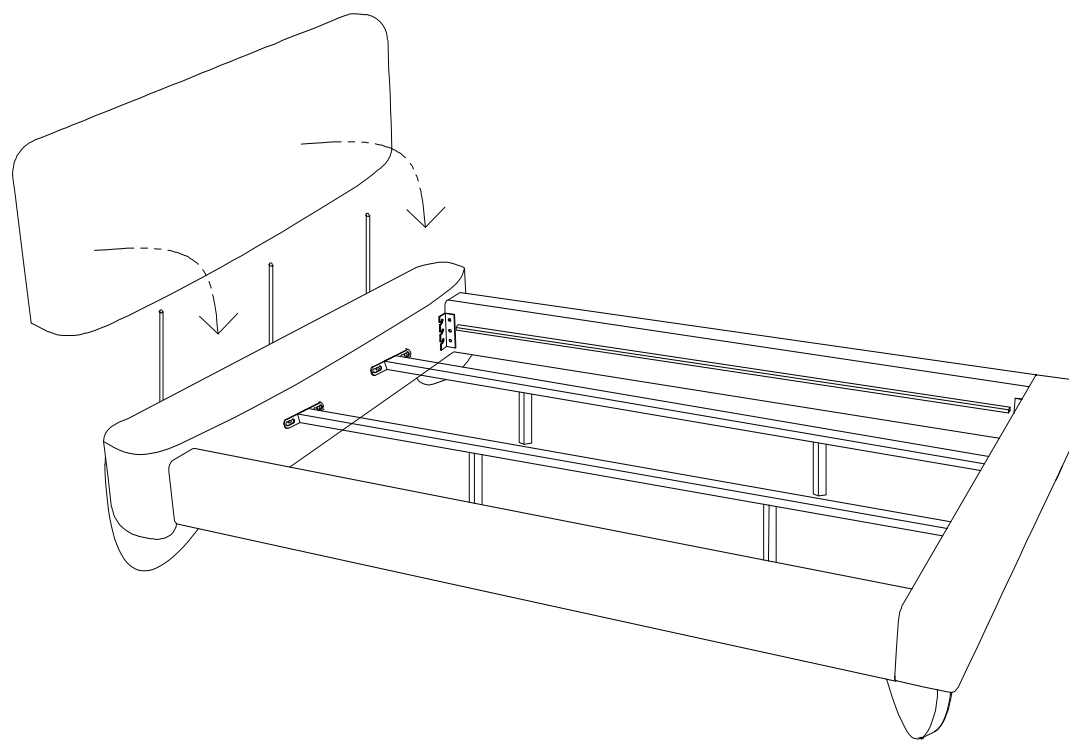
3. Install the intermediate load-bearing support frame



4. As shown in the figure, install the iron rod at the bottom of the bed head



5. Place the upper part of the bed headboard and fasten the zipper.



Assembly instructions



BD8046 Installation

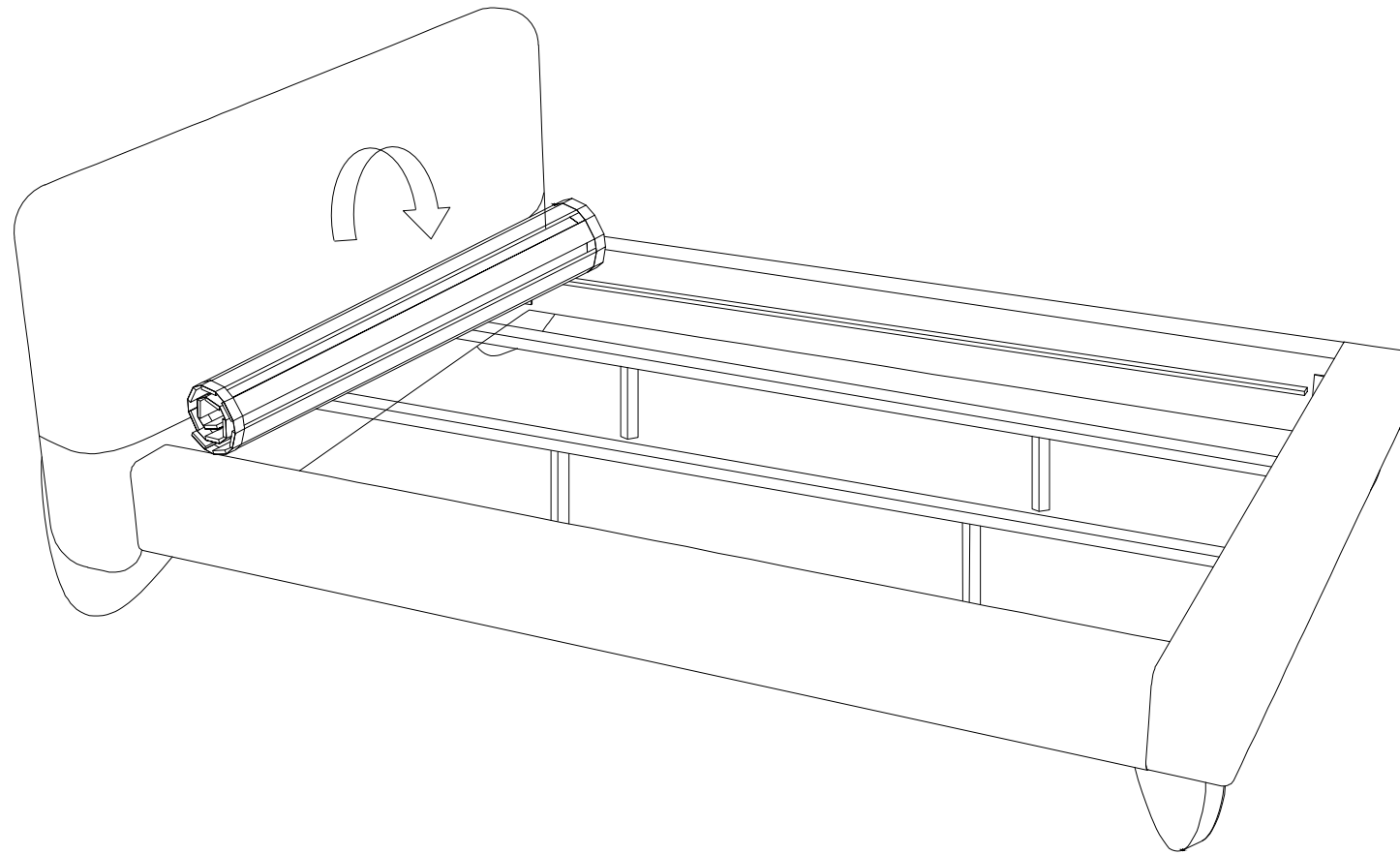
The number of people needed for installation: 2

- ① Please read the manual carefully before installing this product. And strictly follow the installation process
- ② Please take good care of this manual for your next installation
- ③ Note: Before installation, screw all the screws to 1/2 of the length of the installation. After all screws are half screwed in, tighten them all together.

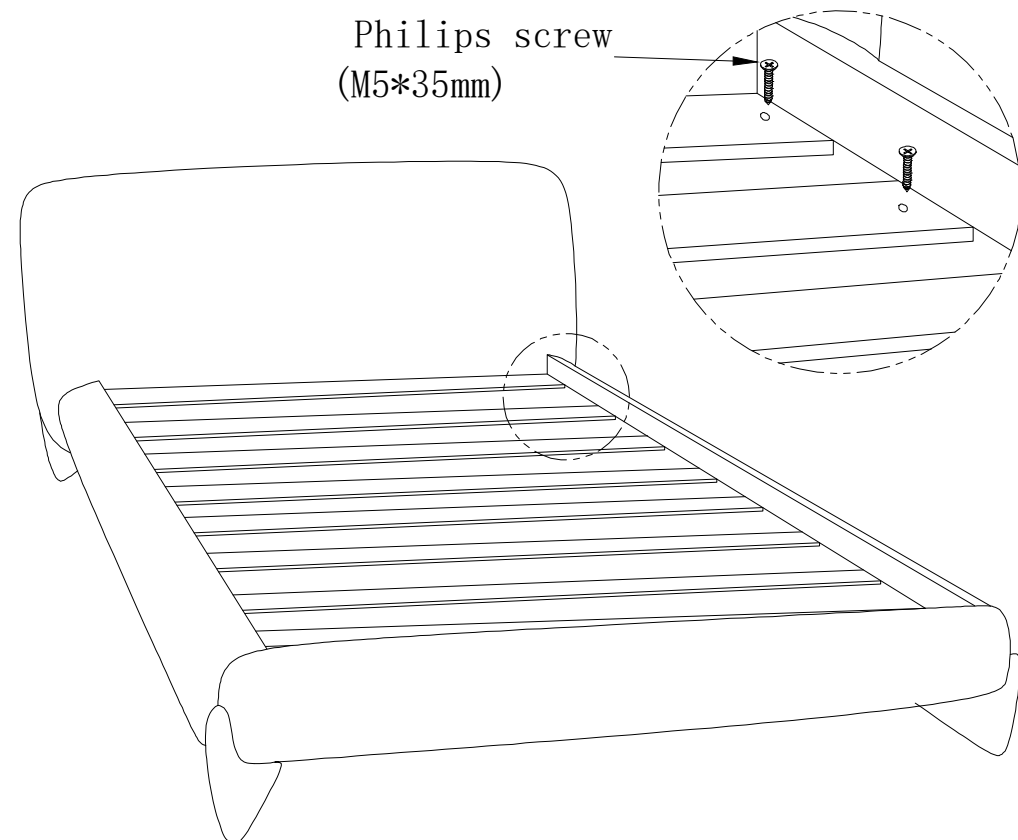
Parts list On a red ribbon are furniture installation accessories

Serial number	Shape	Name	Quantity required for installation	Spare quantity
A		Socket Head Cap Screw (M8*25mm)	48	3
B		Socket Head Cap Screw (M8*60mm)	8	0
C		Socket Head Cap Screw (M8*100mm)	6	0
D		Philips screw (M5*35mm)	20	0
E		Triangle corner connectors	2	0
F		Dedicated corner connectors	4	0
G		Support leg	4	0
H		Gasket	8	2
I		Wrench	2	0
J				
K				

6. Unroll and lay down the bed board.



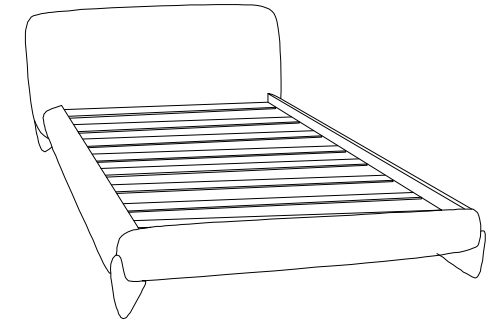
7. The left and right sides of each board are fastened with screws.



8. The installation is complete.



Assembly instructions



BD8046 Installation

The number of people needed for installation: 2

- ① Please read the manual carefully before installing this product. And strictly follow the installation process
- ② Please take good care of this manual for your next installation
- ③ Note: Before installation, screw all the screws to 1/2 of the length of the installation. After all screws are half screwed in, tighten them all together.

Parts list On a red ribbon are furniture installation accessories

Serial number	Shape	Name	Quantity required for installation	Spare quantity
A		Socket Head Cap Screw (M8*25mm)	48	3
B		Socket Head Cap Screw (M8*60mm)	8	0
C		Socket Head Cap Screw (M8*100mm)	6	0
D		Philips screw (M5*35mm)	20	0
E		Triangle corner connectors	2	0
F		Dedicated corner connectors	4	0
G		Support leg	4	0
H		Gasket	8	2
I		Wrench	2	0
J				
K				