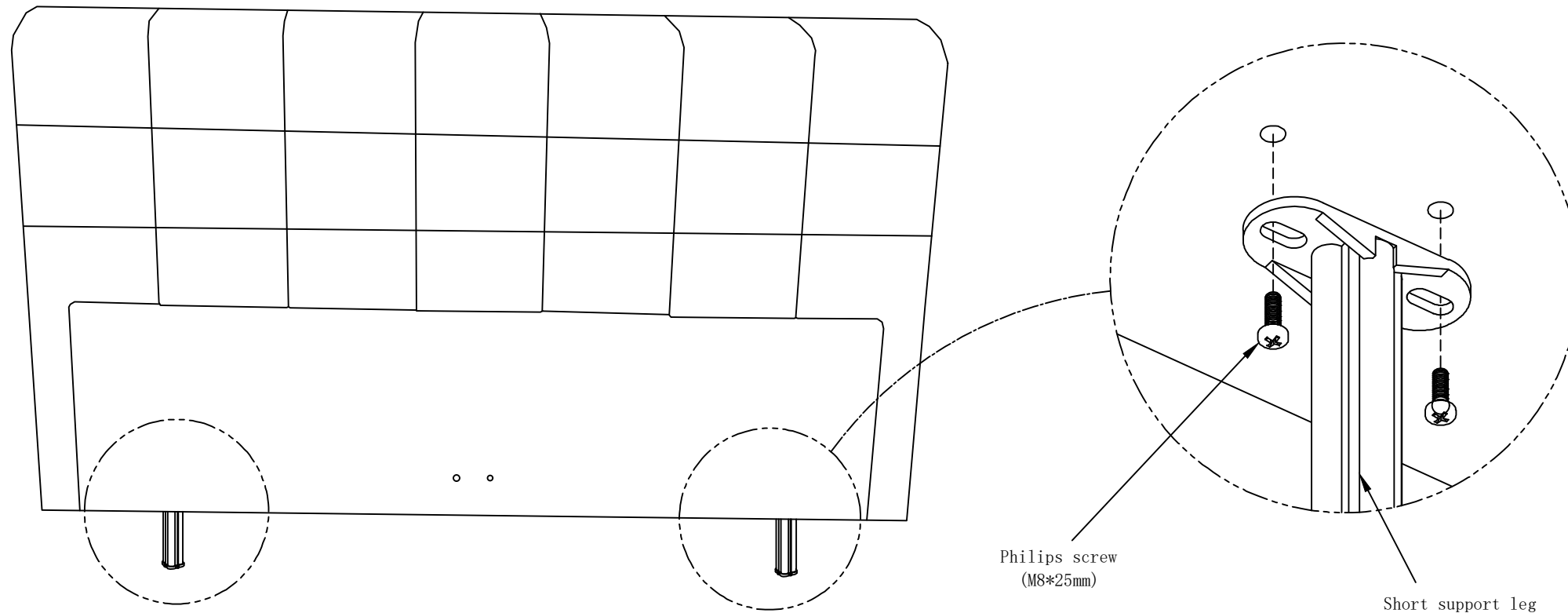


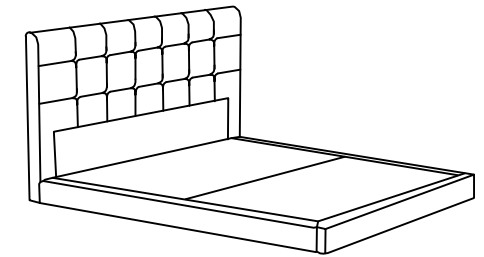
1. Install the short support legs at the bottom of the headboard



Philips screw
(M8*25mm)

Short support leg

Assembly instructions

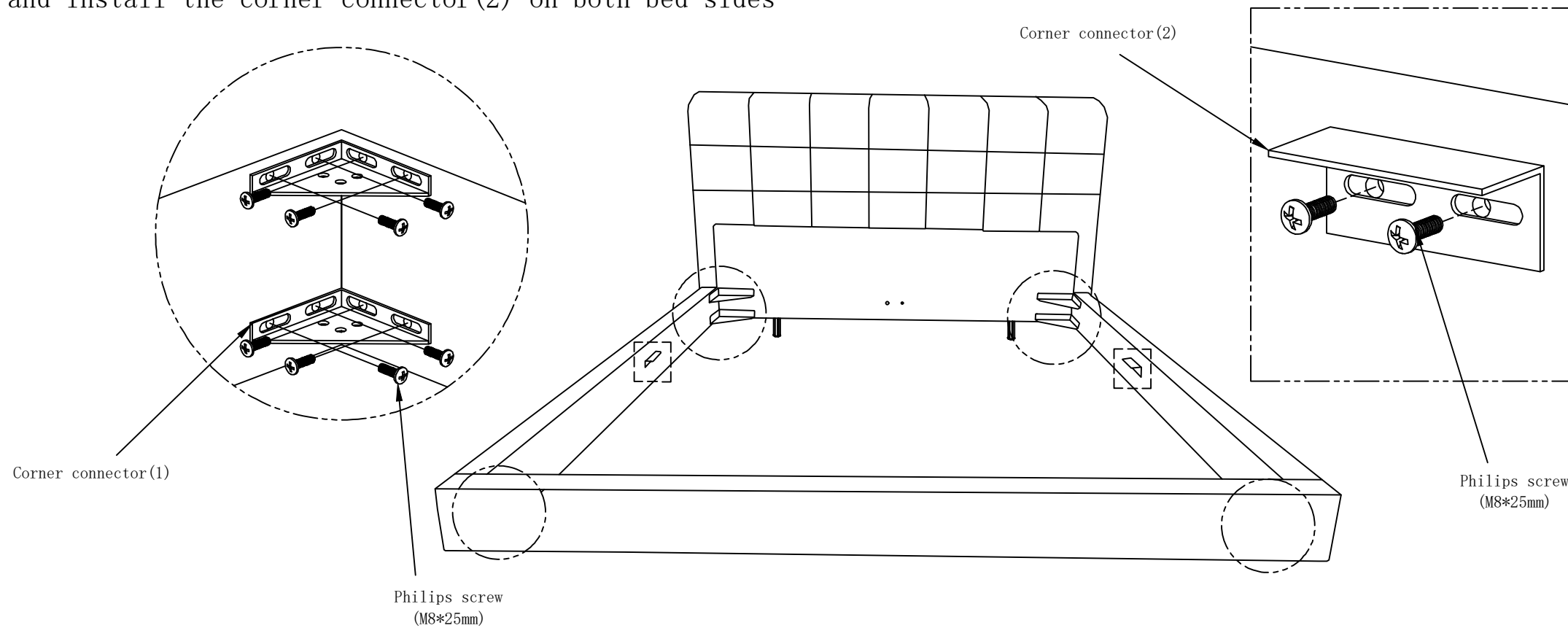


BD8080 Installation

The number of people needed for installation: 2

- ① Please read the manual carefully before installing this product. And strictly follow the installation process
- ② Please take good care of this manual for your next installation
- ③ Note: Before installation, screw all the screws to 1/2 of the length of the installation. After all screws are half screwed in, tighten them all together.

2. Install the corner connector(1) at the junction of the bed frame and install the corner connector(2) on both bed sides



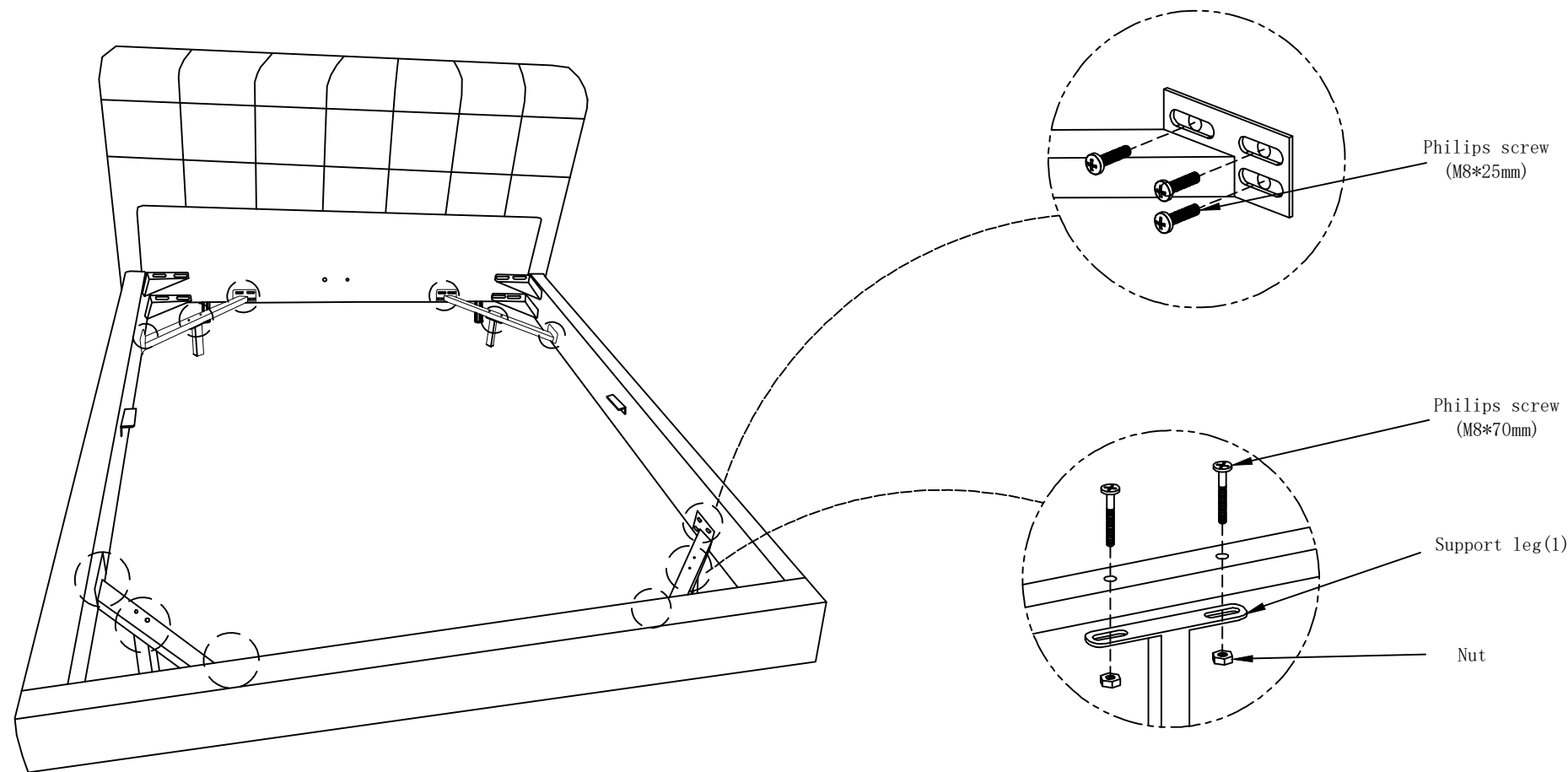
Corner connector (2)

Philips screw
(M8*25mm)

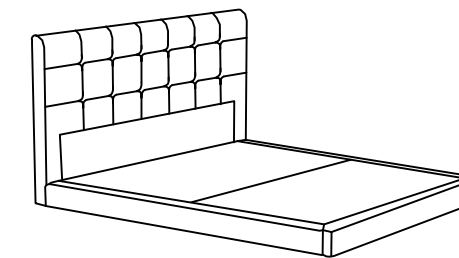
Parts list On a red ribbon are furniture installation accessories

Serial number	Shape	Name	Quantity required for installation	Spare quantity
A		Corner connector(1)	8	0
B		Corner connector(2)	2	0
C		Short support leg	2	0
D		Support leg(1)	4	0
E		Support leg(2)	7	0
F		Long support frame	1	0
G		Long corner connector	4	0
H		Philips screw (M8*25mm)	68	6
I		Philips screw (M8*70mm)	11	2
J		Screw (M8*50mm)	4	1
K		Nut	8	3
I		Non-slip gasket	15	0

3. Install the support legs(1) at the long corner connector(Paste a non-slip gasket on the bottom of the support leg)



Assembly instructions

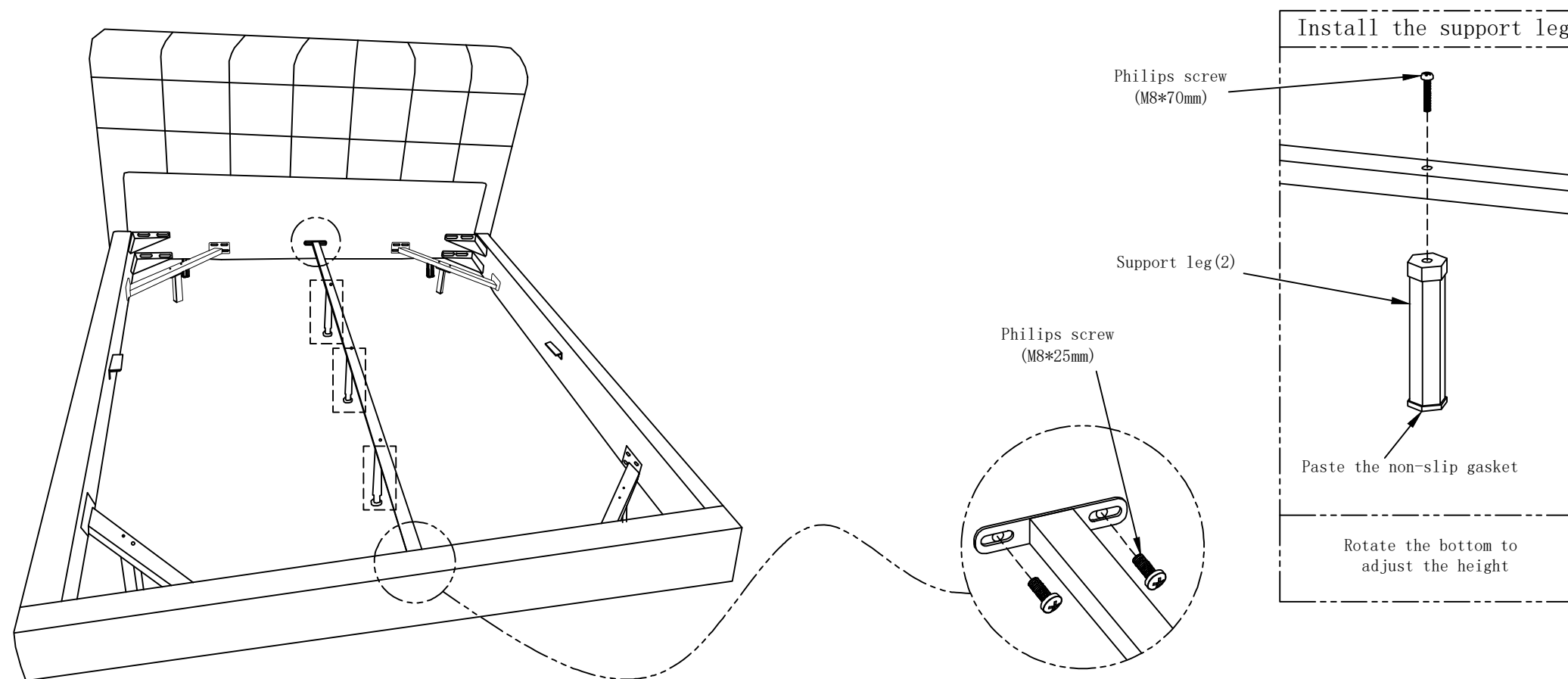


BD8080 Installation

The number of people needed for installation: 2

- ① Please read the manual carefully before installing this product. And strictly follow the installation process
- ② Please take good care of this manual for your next installation
- ③ Note: Before installation, screw all the screws to 1/2 of the length of the installation. After all screws are half screwed in, tighten them all together.

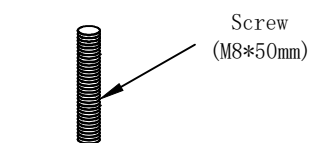
4. Install three support legs(2) on the long rod and install the long rod to the corresponding hole position



Parts list On a red ribbon are furniture installation accessories

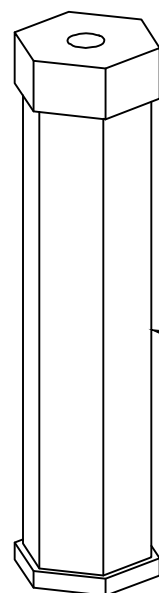
Serial number	Shape	Name	Quantity required for installation	Spare quantity
A		Corner connector(1)	8	0
B		Corner connector(2)	2	0
C		Short support leg	2	0
D		Support leg(1)	4	0
E		Support leg(2)	7	0
F		Long support frame	1	0
G		Long corner connector	4	0
H		Philips screw (M8*25mm)	68	6
I		Philips screw (M8*70mm)	11	2
J		Screw (M8*50mm)	4	1
K		Nut	8	3
I		Non-slip gasket	15	0

5. Screw the screw into the support feet and install it on the back of the bed board



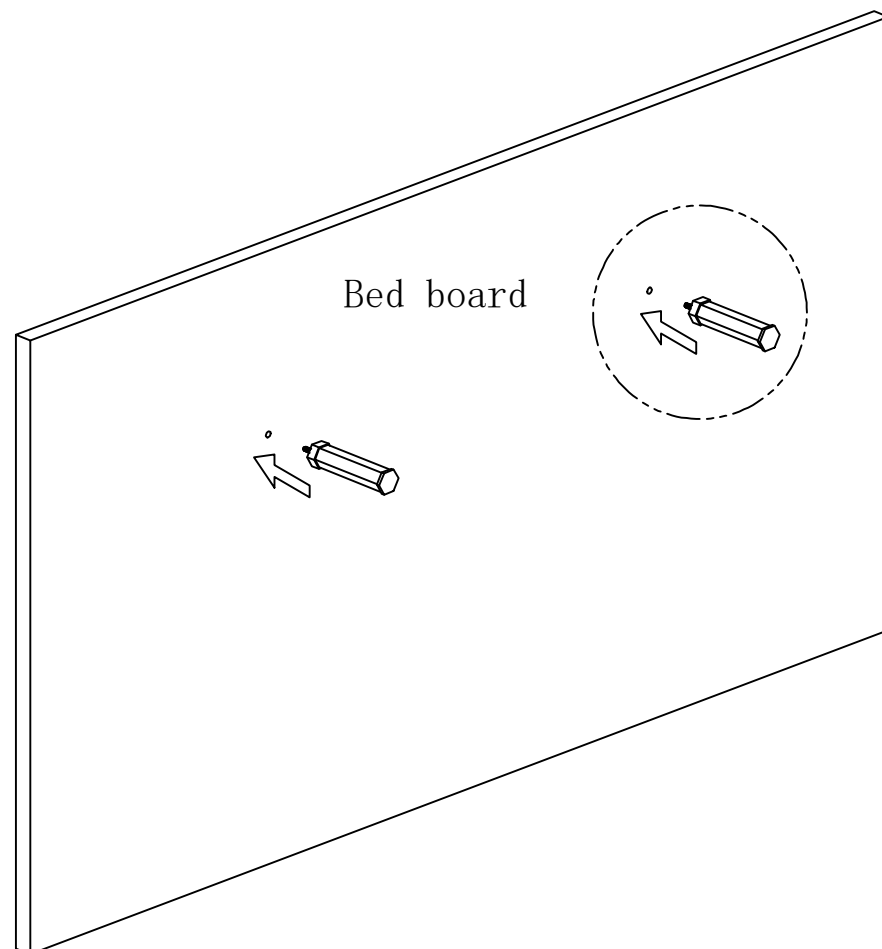
Screw
(M8*50mm)

Rotate the bottom to
adjust the height

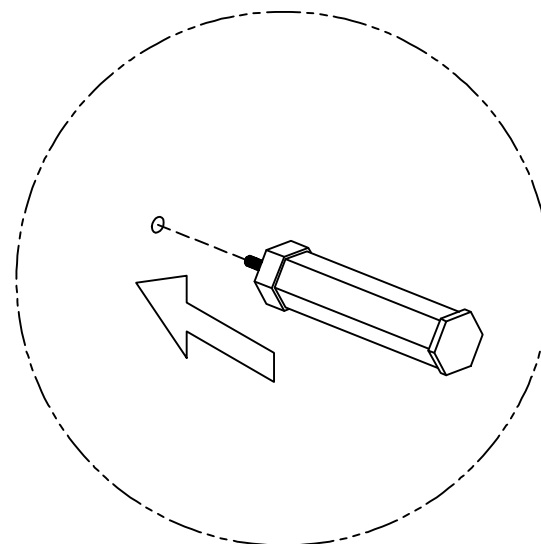


Support leg(2)

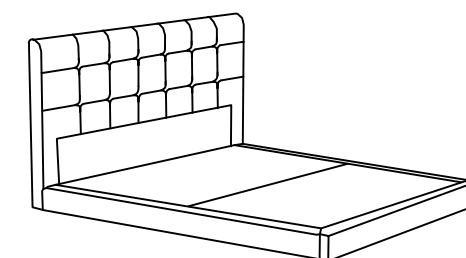
Paste the non-slip
gasket



Bed board



Assembly instructions

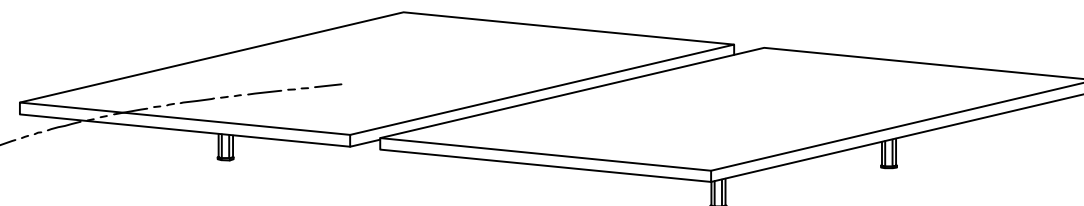
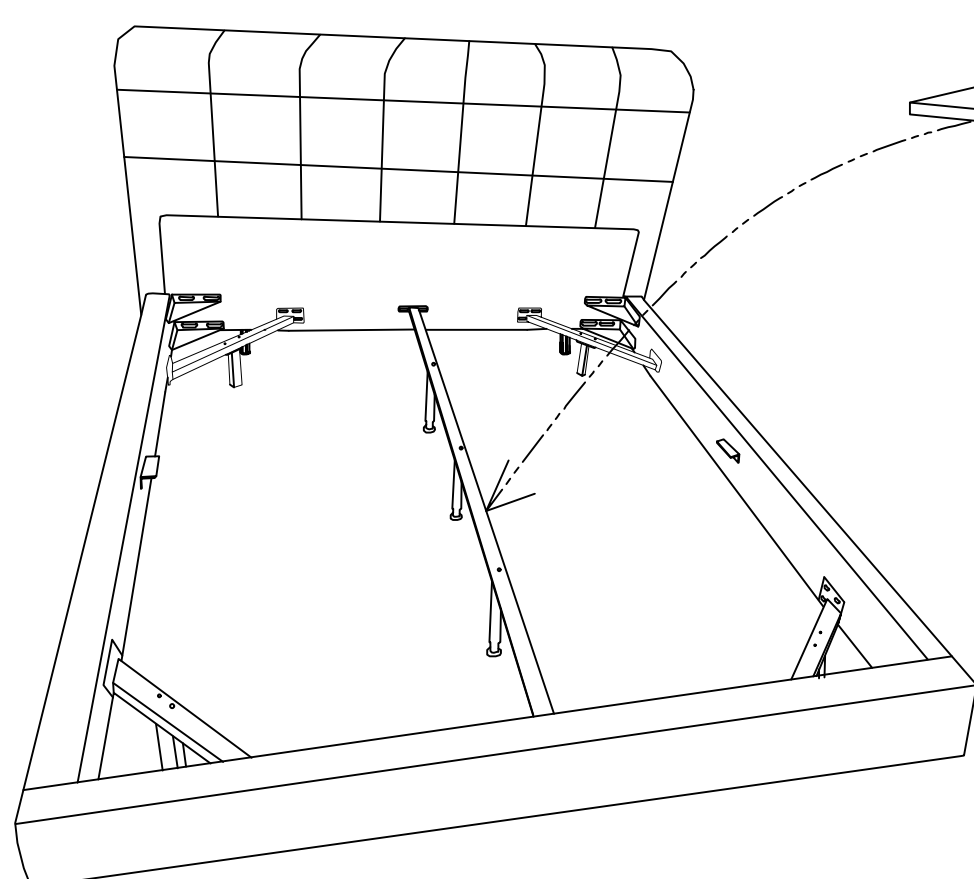


BD8080 Installation

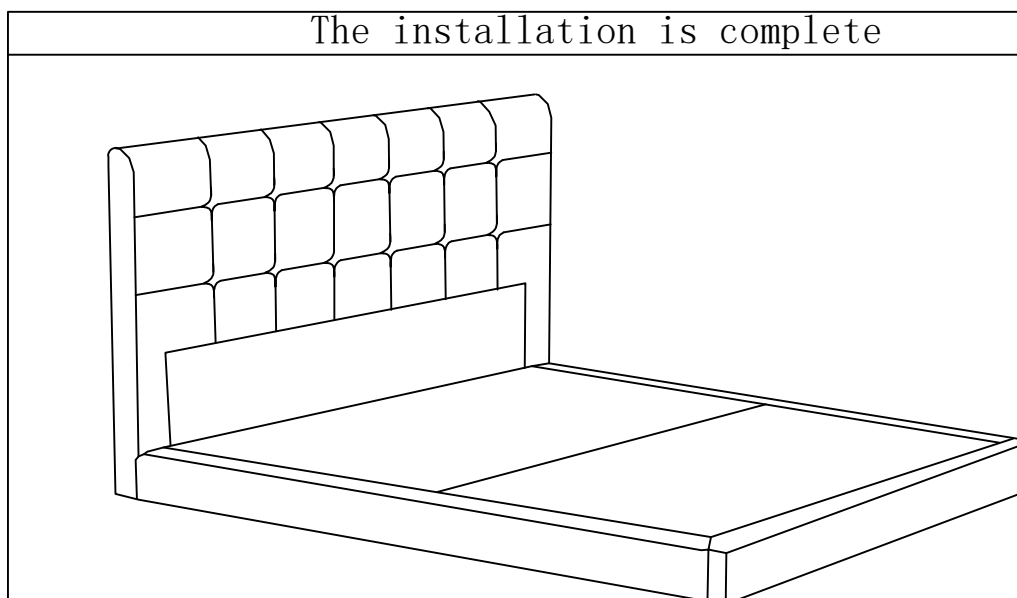
The number of people needed for installation: 2

- ① Please read the manual carefully before installing this product. And strictly follow the installation process
- ② Please take good care of this manual for your next installation
- ③ Note: Before installation, screw all the screws to 1/2 of the length of the installation. After all screws are half screwed in, tighten them all together.

6. Put on the bed board then the installation is complete



The installation is complete



Parts list On a red ribbon are furniture installation accessories

Serial number	Shape	Name	Quantity required for installation	Spare quantity
A		Corner connector(1)	8	0
B		Corner connector(2)	2	0
C		Short support leg	2	0
D		Support leg(1)	4	0
E		Support leg(2)	7	0
F		Long support frame	1	0
G		Long corner connector	4	0
H		Philips screw (M8*25mm)	68	6
I		Philips screw (M8*70mm)	11	2
J		Screw (M8*50mm)	4	1
K		Nut	8	3
I		Non-slip gasket	15	0