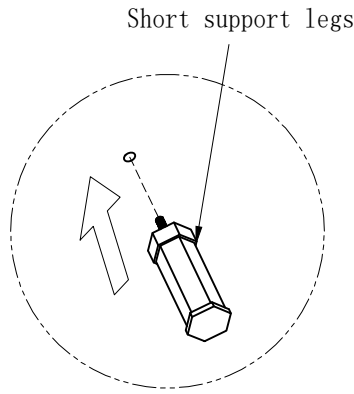
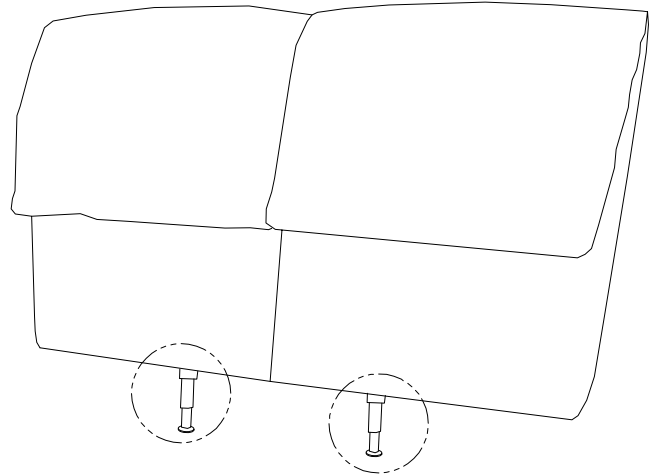
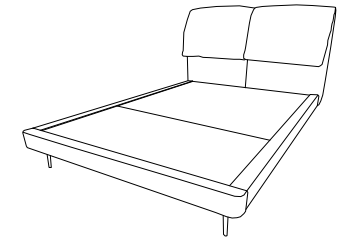


1. Install short support legs at the bottom of the headboard



Assembly instructions

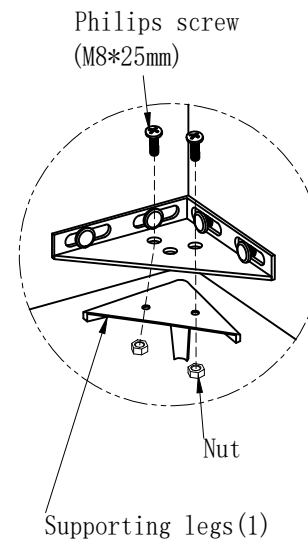
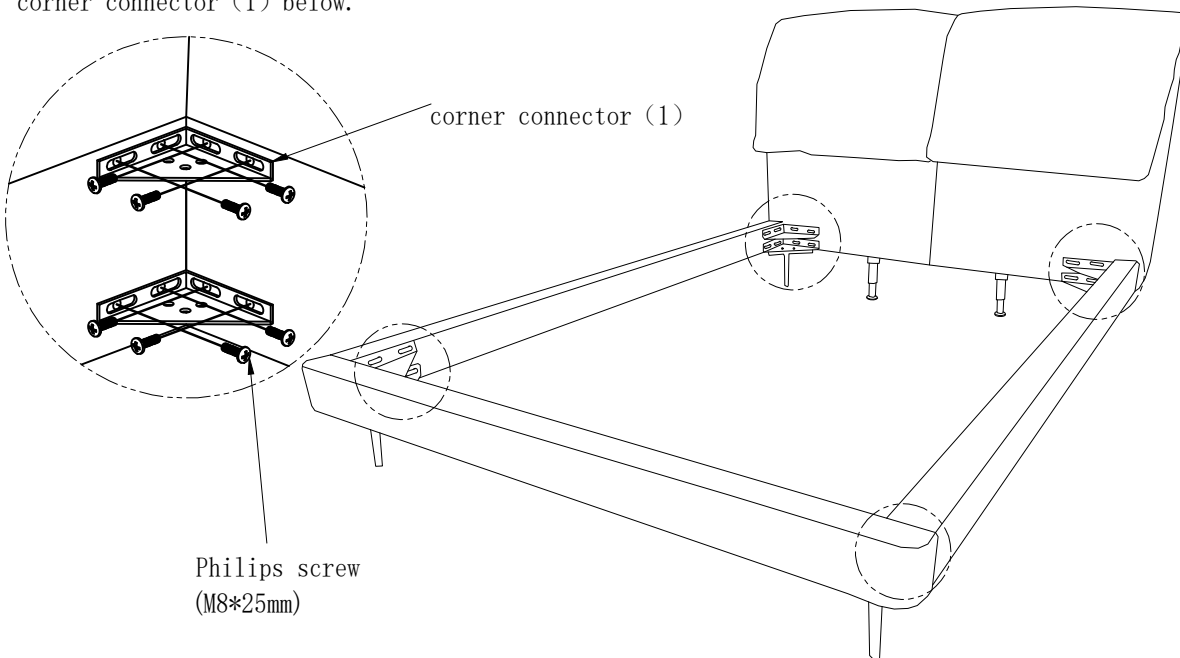


BD8078 Installation

The number of people needed for installation: 2

- ① Please read the manual carefully before installing this product. And strictly follow the installation process
- ② Please take good care of this manual for your next installation
- ③ Note: Before installation, screw all the screws to 1/2 of the length of the installation. After all screws are half screwed in, tighten them all together.

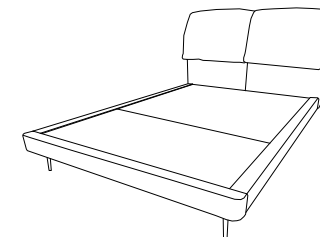
2. Install the four corner connector (1) at the junction of the bed frame, and install the supporting legs (1) at the corner connector (1) below.



Parts list On a red ribbon are furniture installation accessories

Serial number	Shape	Name	Quantity required for installation	Spare quantity
A		corner connector (1)	8	0
B		corner connector (2)	2	0
C		support legs(1)	4	0
D		support legs(2)	7	0
E		Philips screw (M8*25mm)	48	12
F		Philips screw (M8*70mm)	3	1
G		Screw (M8*50mm)	4	1
H		nut	8	2
I		Non-slip gaskets	17	0
J		Short support legs	2	0
K				

## Assembly instructions

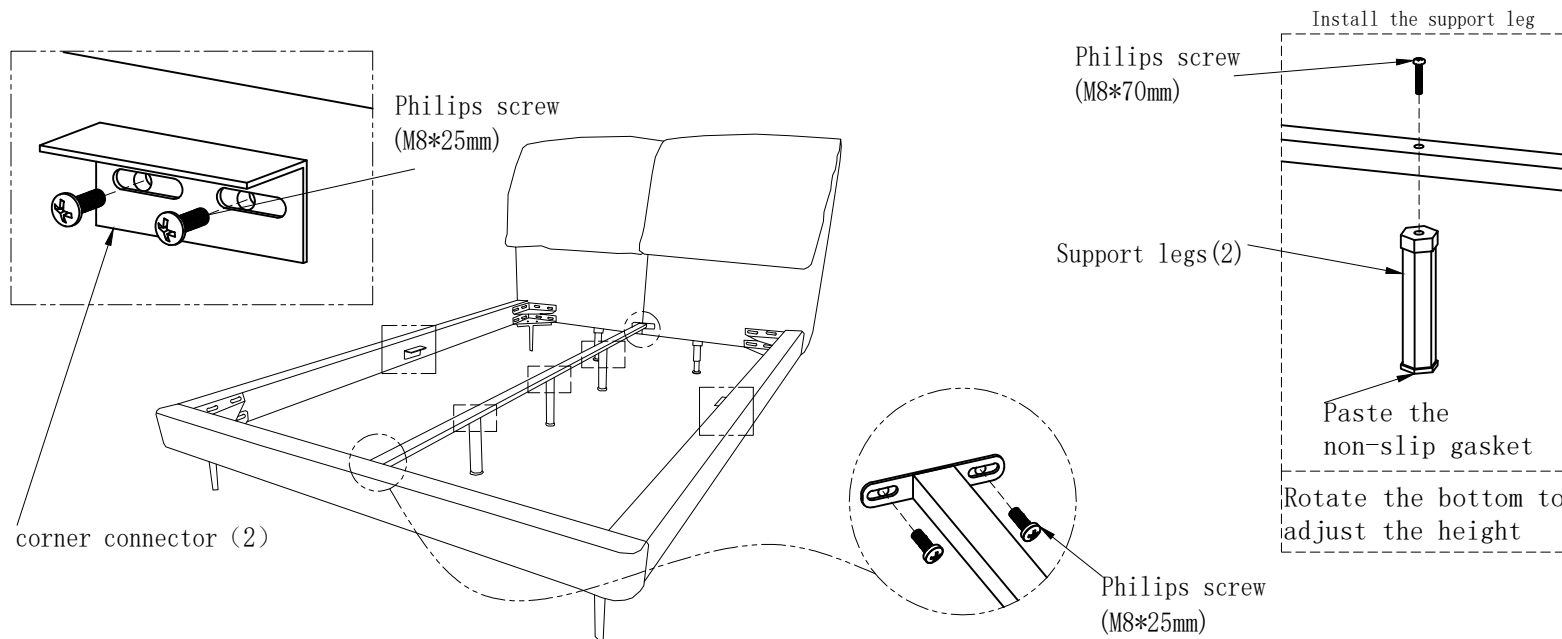


### BD8078 Installation

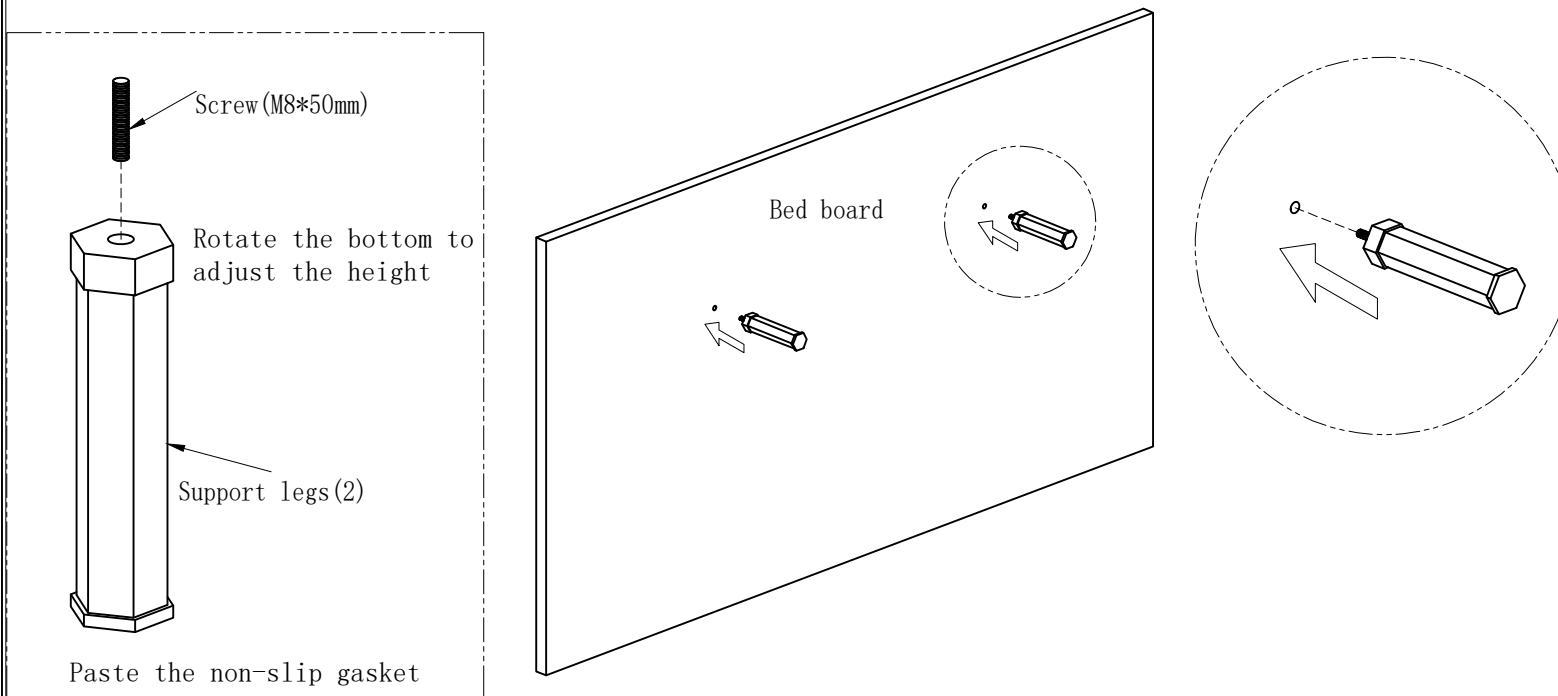
The number of people needed for installation: 2

- ① Please read the manual carefully before installing this product. And strictly follow the installation process
- ② Please take good care of this manual for your next installation
- ③ Note: Before installation, screw all the screws to 1/2 of the length of the installation. After all screws are half screwed in, tighten them all together.

3. Install the corner connector (2) on both bed sides and Install three support leg (2) on the long rod and install the long rod to the corresponding hole position.



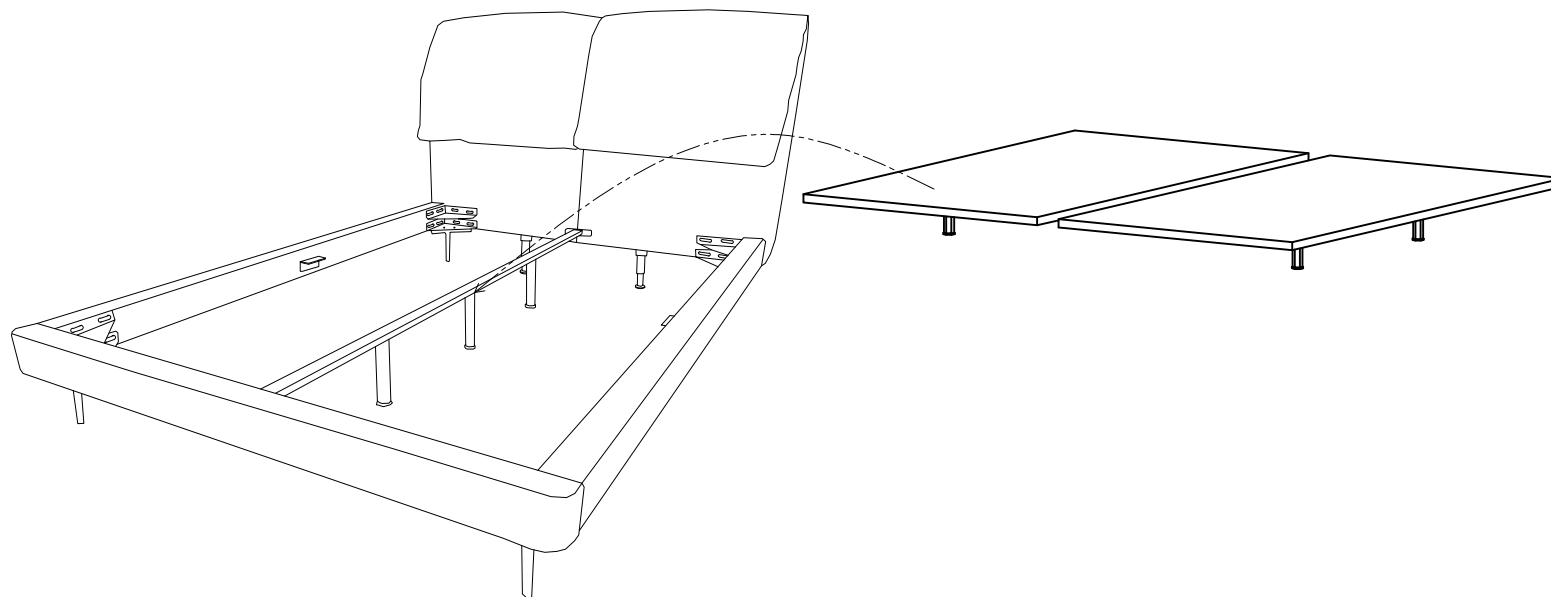
4. Screw the screw into the support feet and install it on the back of the bed board



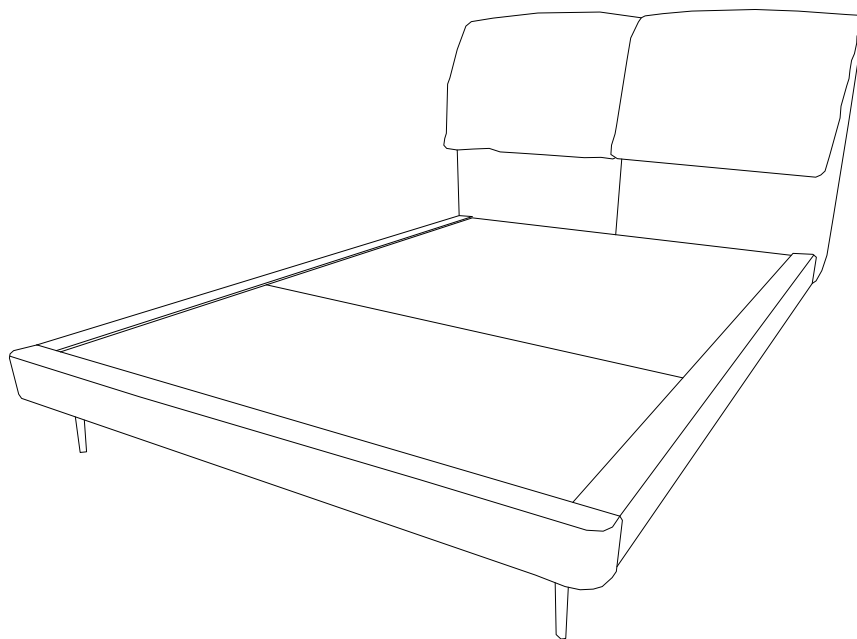
### Parts list On a red ribbon are furniture installation accessories

Serial number	Shape	Name	Quantity required for installation	Spare quantity
A		corner connector (1)	8	0
B		corner connector (2)	2	0
C		support legs(1)	4	0
D		support legs(2)	7	0
E		Philips screw (M8*25mm)	48	12
F		Philips screw (M8*70mm)	3	1
G		Screw (M8*50mm)	4	0
H		nut	8	2
I		Non-slip gaskets	17	0
J		Short support legs	2	0
K				

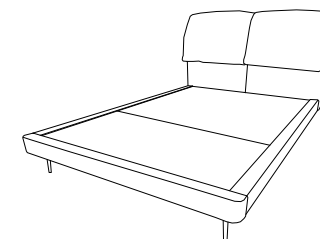
5. Put on the bed board.



6. The installation is complete



## Assembly instructions




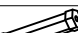








BD8078 Installation

The number of people needed for installation: 2

- ① Please read the manual carefully before installing this product. And strictly follow the installation process
- ② Please take good care of this manual for your next installation
- ③ Note: Before installation, screw all the screws to 1/2 of the length of the installation. After all screws are half screwed in, tighten them all together.

### Parts list On a red ribbon are furniture installation accessories

Serial number	Shape	Name	Quantity required for installation	Spare quantity
A		corner connector (1)	8	0
B		corner connector (2)	2	0
C		support legs(1)	4	0
D		support legs(2)	7	0
E		Philips screw (M8*25mm)	48	12
F		Philips screw (M8*70mm)	3	1
G		Screw (M8*50mm)	4	1
H		nut	8	2
I		Non-slip gaskets	17	0
J		Short support legs	2	0
K				