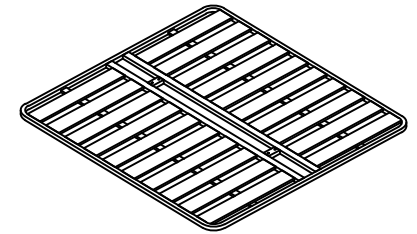


1. Bed frame installation



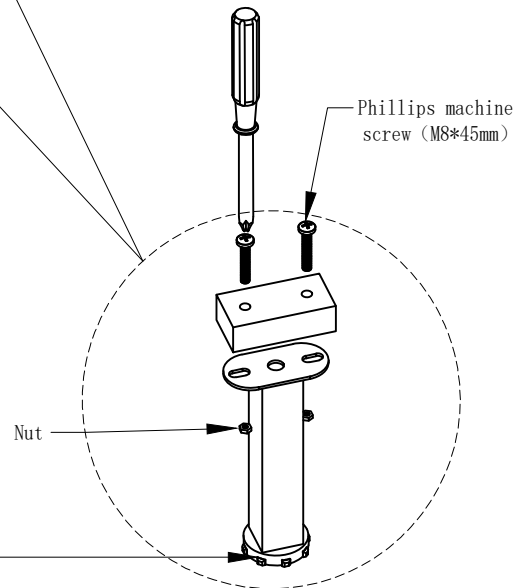
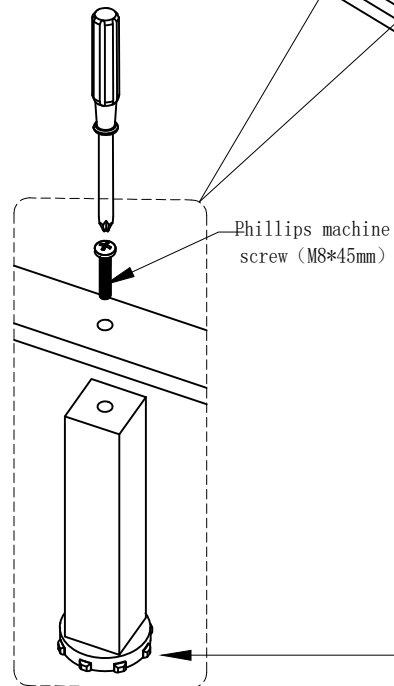
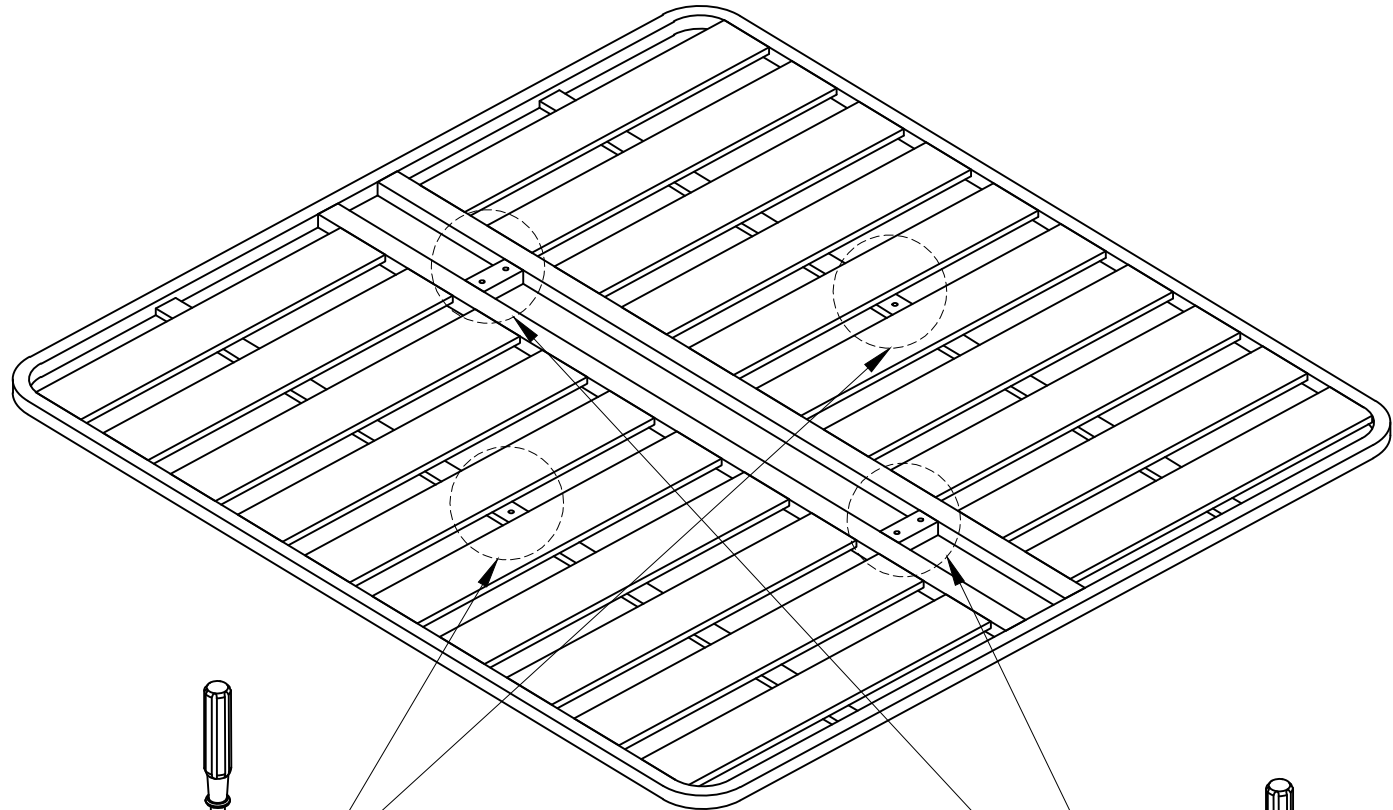
Installation instruction



Bed frame installation

The number of people needed for installation: 2

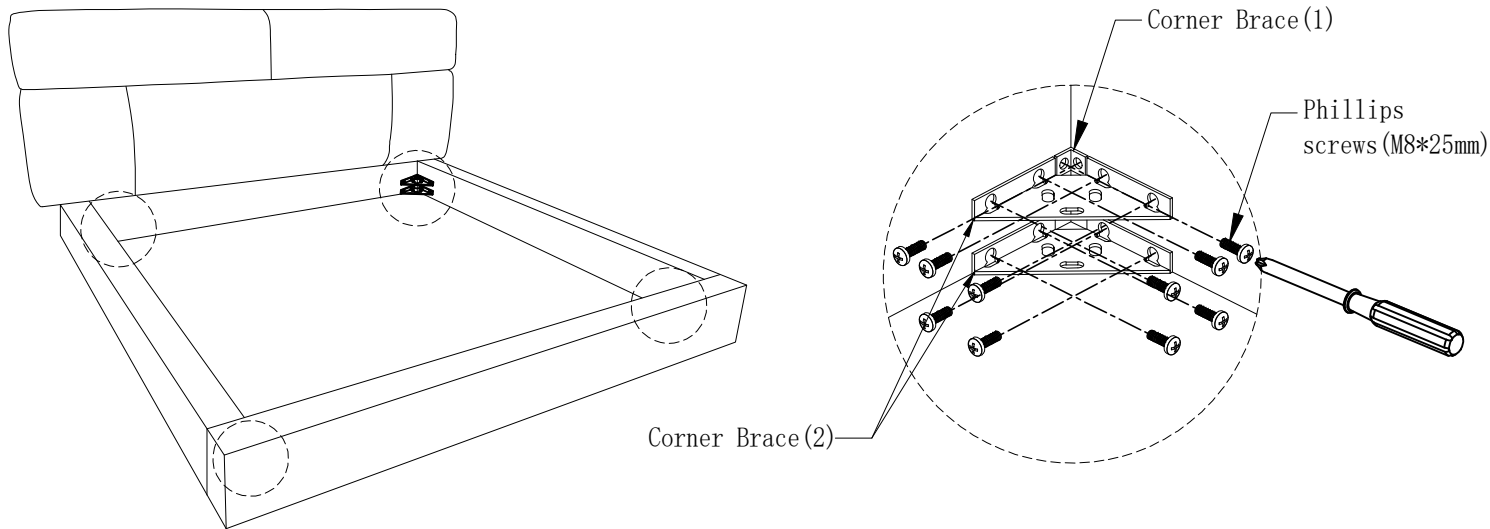
- ① Please read the manual carefully before installing this product. And strictly follow the installation process
- ② Please take good care of this manual for your next installation
- ③ Note: Before installation, screw all the screws to 1/2 of the length of the installation. After all screws are half screwed in, tighten them all together.



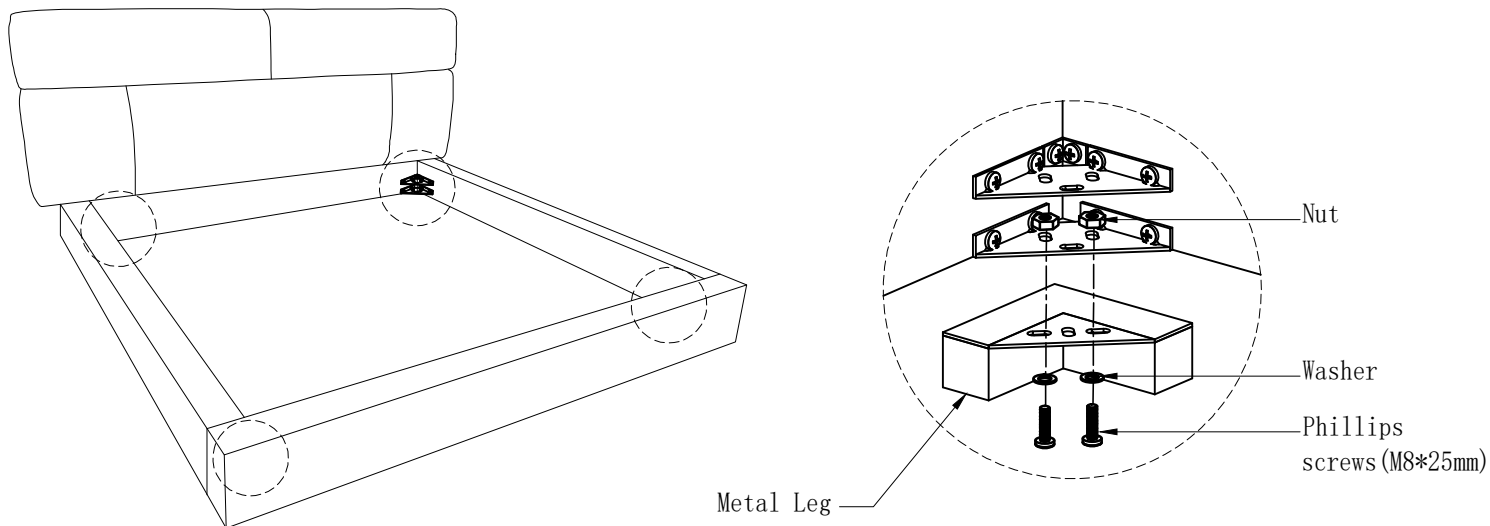
Parts list On a red ribbon are furniture installation accessories

Serial number	Shape	Name	Quantity required for installation	Spare quantity
A		Phillips machine screw (M8*45mm)	6	The remaining quantity is spare
B		Nut	4	
C		Middle foot	2	0
E		Side foot	2	0

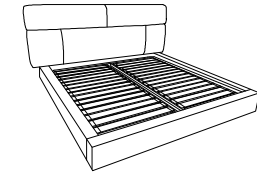
1. Bed frame installation



2. Bed foot installation



Assembly instructions



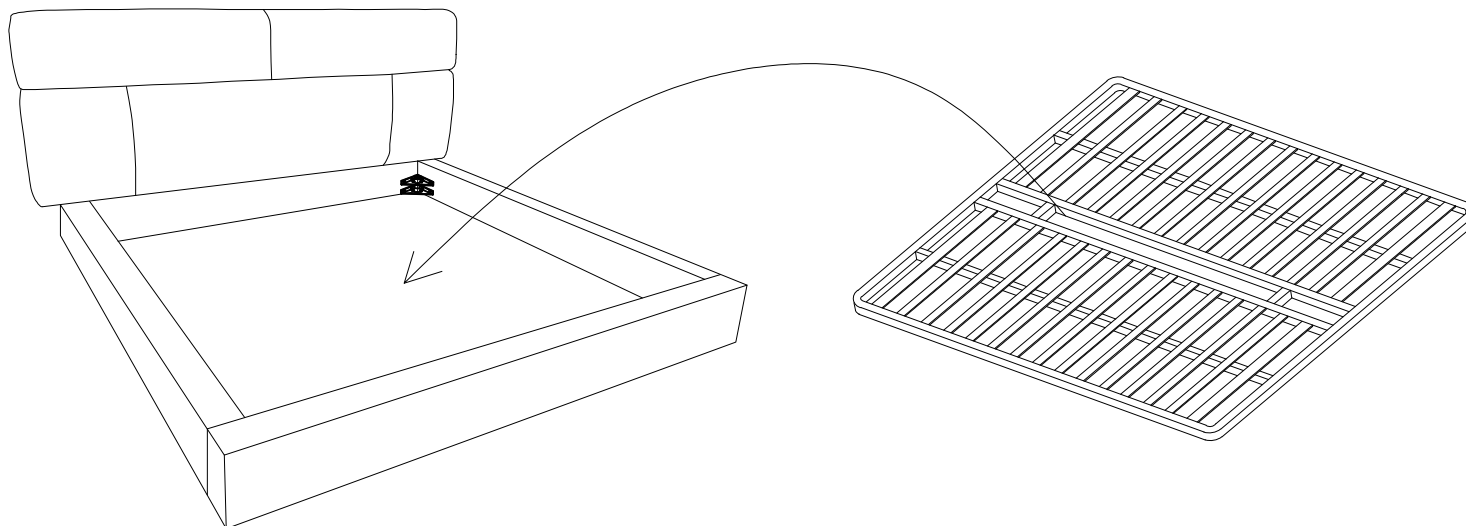
BD8029BN Installation

The number of people needed for installation: 2

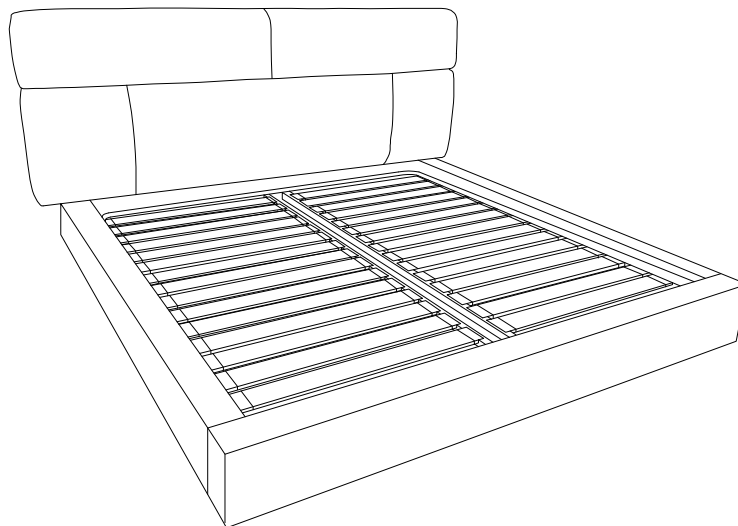
- ① Please read the manual carefully before installing this product. And strictly follow the installation process
- ② Please take good care of this manual for your next installation
- ③ Note: Before installation, screw all the screws to 1/2 of the length of the installation. After all screws are half screwed in, tighten them all together.

Parts list		On a red ribbon are furniture installation accessories		
Serial number	Shape	Name	Quantity required for installation	Spare quantity
A		Corner Brace(1)	4	0
B		Corner Brace(2)	8	0
C		Metal Leg	4	0
D		Phillips screws (M8*25mm)	48	0
E		Nut	8	0
F		Washer	8	0
G				

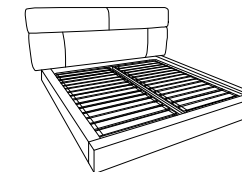
3. Just place the shelf.



4. The installation is complete.







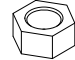

Assembly instructions



BD8029BN Installation

The number of people needed for installation: 2

- ① Please read the manual carefully before installing this product. And strictly follow the installation process
- ② Please take good care of this manual for your next installation
- ③ Note: Before installation, screw all the screws to 1/2 of the length of the installation. After all screws are half screwed in, tighten them all together.

Parts list		On a red ribbon are furniture installation accessories		
Serial number	Shape	Name	Quantity required for installation	Spare quantity
A		Corner Brace(1)	4	0
B		Corner Brace(2)	8	0
C		Metal Leg	4	0
D		Phillips screws (M8*25mm)	48	0
E		Nut	8	0
F		Washer	8	0
G				